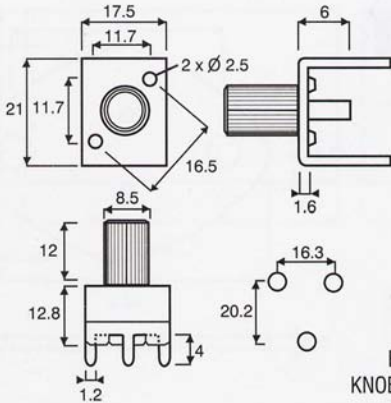


**T5664**



**MATERIALS:**  
BASE: COPPER ALLOY / Sn PLATED  
KNOB: COPPER ALLOY / NICKEL PLATED