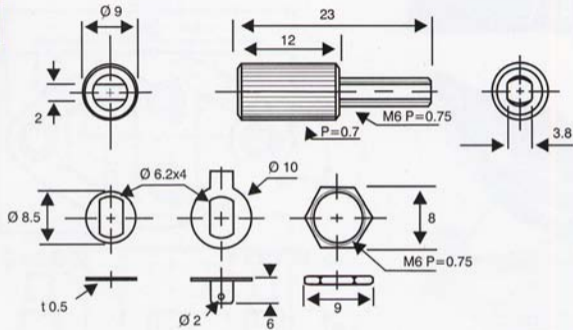


T5435



MATERIAL:
COPPER ALLOY / NICKEL PLATED