



**SPECIFICATION :**

**1. Electrical Char.**

Insulation Resistance : 500M-Ohm Min.  
 Contact Resistance : 20milli-Ohm Max.  
 Rating Current : 1.5A Max.  
 Rating Voltage : 120V AC  
 Dielectric Voltage : 1,000 RMS 60 Sec. Min.

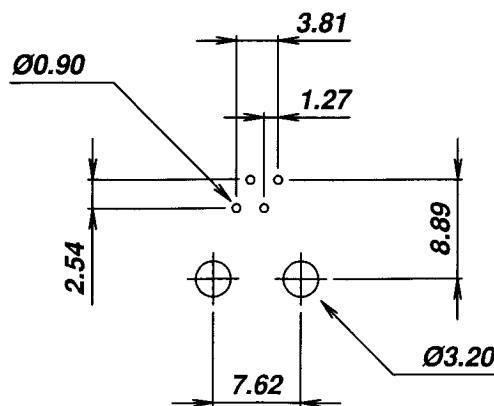
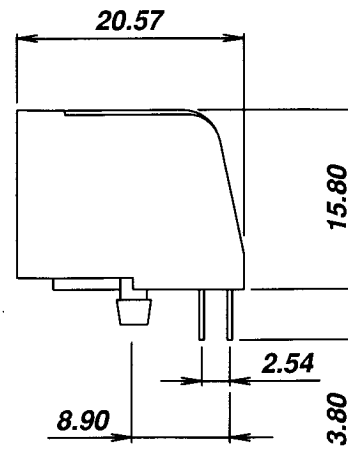
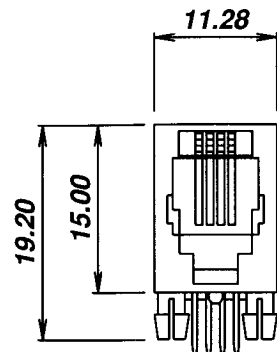
**2. Physical Char.**

Housing : PBT Glass Filled (UL 94V-0)  
 Color : Black Color  
 Spring Wire : 0.35mm Thickness Phosphor Bronze  
 Gold Plating Over Nickel  
 Temperature Range : - 25 +90 C  
 Durability : 500 Mating cycles Min.

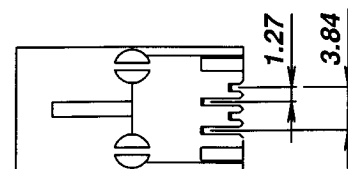
**AJ-006-4 -A -X-N**

A=4p4c

Gold plated 1=15u , 3=50u  
 2=30u , 4= 6 u



**PCB LAYOUT**



**ALLSUN CORPORATION**

9FL,NO.292 SEC.7 CHENG TEH ROAD.TAIPEI TAIWAN.  
 E - mail Address : allsun @ globalsources. com

TITLE

**RJ11 SIDE ENTRY PCB JACK**  
**UL & cUL FILE NO. E131820**

**MODULAR JACKS ASSY FOR**  
**AJ-006-4-A-X-N**

**SCALE SIZE DWG. NO. 9601 SERIES**

DWG. NO.  
**AS006002**

DO NOT SECALE DRAWING	TOLERANCES UNLESS OTHERWISE NOTED	INCH	MM	DR.	DATA
 THIRD ANGLE PROJECTION	LINEAR $\frac{MM}{INCH}$	00±0.01	00±0.25	Steven	JUL-30 '04
		000±0.005	000±0.13	CK'D Johnn	JUL-30 '04
MM INCH	ANGLE +0°30'	RADIL	+0.45 -0.15	APP'D Billy	JUL-30 '04