



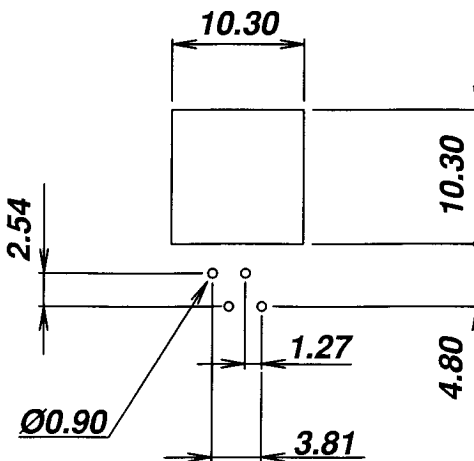
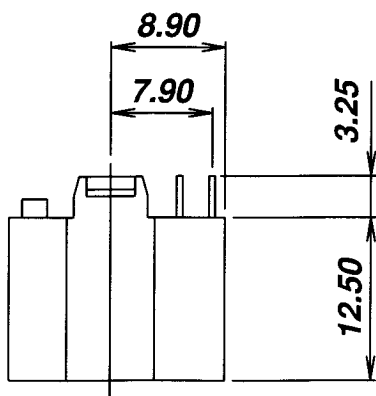
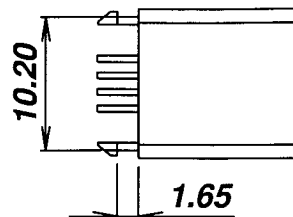
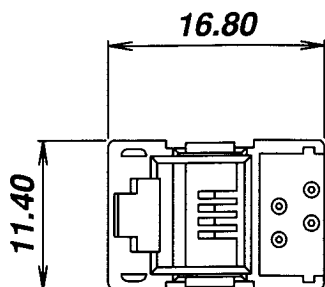
**SPECIFICATION :**

**1. Electrical Char.**

Insulation Resistance : 500M-Ohm Min.  
 Contact Resistance : 20milli-Ohm Max.  
 Rating Current : 1.5A Max.  
 Rating Voltage : 120V AC  
 Dielectric Voltage : 1,000 Vrms 60 Sec. Min.

**2. Physical char.**

Housing : PBT Glass Filled (UL 94V-0)  
 Color : Black Color  
 Spring Wire : 0.45mm Dia. Phosphor Bronze  
 Gold Plating Over Nickel  
 Temperature Range : - 25 /+90 Deg C



**PCB LAYOUT  
( Bottom View )**

**AJ-001-4-A-X**

A=4p4c

Gold plated	1=15u, 3=50u
	2=30u, 4= 6 u

**ALLSUN CORPORATION**

9FL,NO.292 SEC.7 CHENG TEH ROAD.TAIPEI TAIWAN.

E - mail Address : allsun @ globalsources. com

TITLE

**RJ11 BOTTOM ENTRY PCB JACK  
UL & cUL FILE NO. E131820**

**MODULAR JACKS ASSY FOR  
AJ-001-4-A-X**

**SCALE SIZE DWG. NO.9622-4 SERIES**

NOT SCALED DRAWING	TOLERANCE UNLESS OTHERWISE NOTICE	INCH	MM	DR.	DATE
 THIRD ANGLE PROJECTION	LINEAR $\frac{MM}{INCH}$	00±0.01	00±0.25	Steven	JUL-29 '04
		000±0.005	000±0.13	Johnn	JUL-29 '04
$\frac{MM}{INCH}$	ANGLE +0°30'	RADIL	+0.45 -0.15	Billy	JUL-29 '04

DWG. NO. **AS001001**