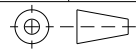


DRAWING No
S232L0G29

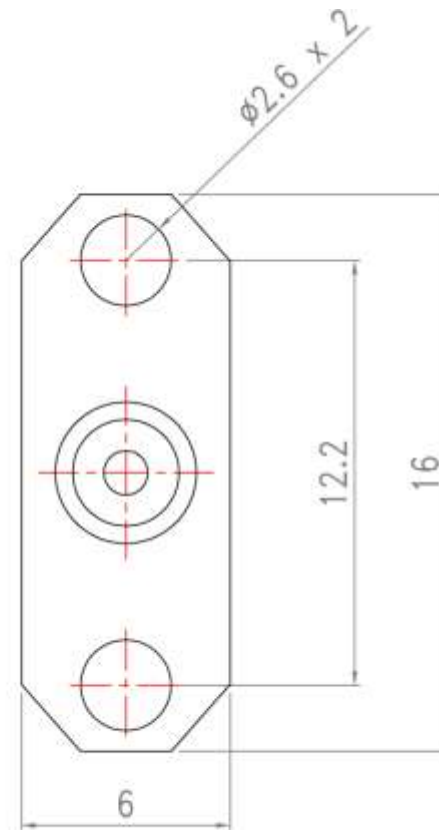
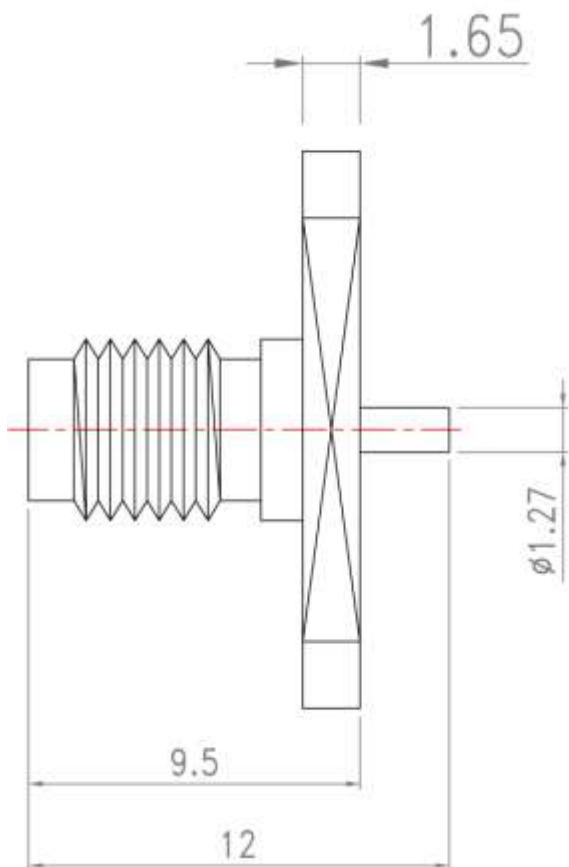
DO NOT SCALE



DIMENSIONS IN MILLIMETRES
FIRST ANGLE PROJECTION

CAD SYSTEM: AutoCAD 2005

CAD FILE NAME: //smbserver/drawings/S232L0G29



ISS	ECN	SIGN	DATE	ISS	ECN	SIGN	DATE

NOTICE
ALL RIGHTS RESERVED.
UNAUTHORISED USE,
DISCLOSURE OR
REPRODUCTION IN
WHOLE OR IN PART IS
STRICTLY PROHIBITED.
© 2006



Durban Road, Bognor Regis
West Sussex, UK, PO22 9QT
Tel: +44 (0) 1243 860626
Fax: +44 (0) 1243 866626
email: sales@westside-supplies.co.uk
Web: www.westside-supplies.co.uk

STANDARD TOLERANCES
NO PLACE DEC. ± 0.5
1 PLACE DEC. ± 0.2
2 PLACE DEC. ± 0.1
ANGULAR $\pm 0.5^\circ$
UNLESS STATED OTHERWISE
SCALE: NTS

MATERIAL

FINISH

DRAWN	DATE	SIGN	DATE
RM	13/12/06		
TITLE SMA PANEL MOUNT			
DRAWING No S232L0G29			A4