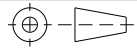


DRAWING No
43018

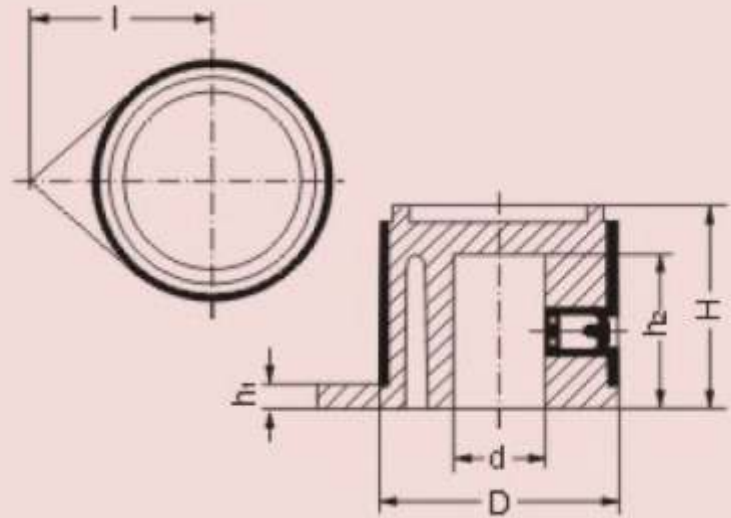
DO NOT SCALE



DIMENSIONS IN MILLIMETRES
FIRST ANGLE PROJECTION

CAD SYSTEM: AutoCAD 2005

CAD FILE NAME: //smbserver/drawings/43018



Description

- Material: ABS
- With set screw

PART NO.	D	d ₁	H	h ₁	h ₂	l ₁	l ₂
43018	15.4	6	13	1.5	10	10	11.7

ISS	ECN	SIGN	DATE	ISS	ECN	SIGN	DATE

NOTICE
ALL RIGHTS RESERVED.
UNAUTHORISED USE,
DISCLOSURE OR
REPRODUCTION IN
WHOLE OR IN PART IS
STRICTLY PROHIBITED.

© 2006

WESTSIDE SUPPLIES LIMITED

*Durban Road, Bognor Regis
West Sussex, UK, PO22 9QT*
Tel: +44 (0) 1243 860626
Fax: +44 (0) 1243 866626
email: sales@westside-supplies.co.uk
Web: www.westside-supplies.co.uk

STANDARD TOLERANCES
NO PLACE DEC. ±0.5
1 PLACE DEC. ±0.2
2 PLACE DEC. ±0.1
ANGULAR ±0.5°
UNLESS STATED OTHERWISE

SCALE: NTS

MATERIAL

FINISH

DRAWN	DATE	SIGN	DATE
RM	11/12/06		
TITLE Pointer Knobs			
DRAWING No 43018			A4