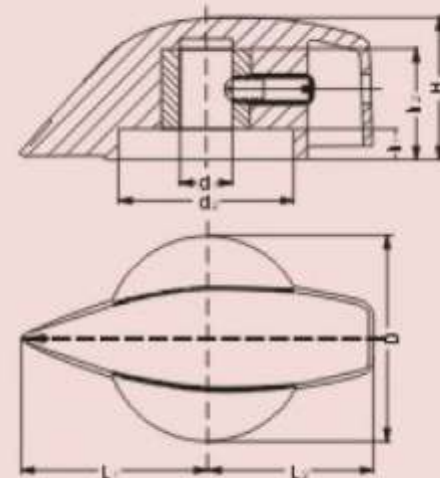


Description

- Material: Phenolic
- Brass insert with set screw
- Epoxy paint filled indicator



PART NO.	D	d ₁	d ₂	H	h ₁	h ₂	l ₁	l ₂
43016-1	20	6	17	12.5	3	11	17	15
43016-2	23	6	20	16	3.5	12.5	21	19

ISS	ECN	SIGN	DATE	ISS	ECN	SIGN	DATE

NOTICE
ALL RIGHTS RESERVED.
UNAUTHORISED USE,
DISCLOSURE OR
REPRODUCTION IN
WHOLE OR IN PART IS
STRICTLY PROHIBITED.

© 2006

 **Durban Road, Bognor Regis**
West Sussex, UK, PO22 9QT
Tel: +44 (0) 1243 860626
Fax: +44 (0) 1243 866626
email: sales@westside-supplies.co.uk
Web: www.westside-supplies.co.uk

STANDARD TOLERANCES
NO PLACE DEC. ±0.5
1 PLACE DEC. ±0.2
2 PLACE DEC. ±0.1
ANGULAR ±0.5°
UNLESS STATED OTHERWISE

SCALE: NTS

MATERIAL

FINISH

DRAWN	DATE	SIGN	DATE
RM	11/12/06		
TITLE Pointer Knobs			
DRAWING No 43016			A4