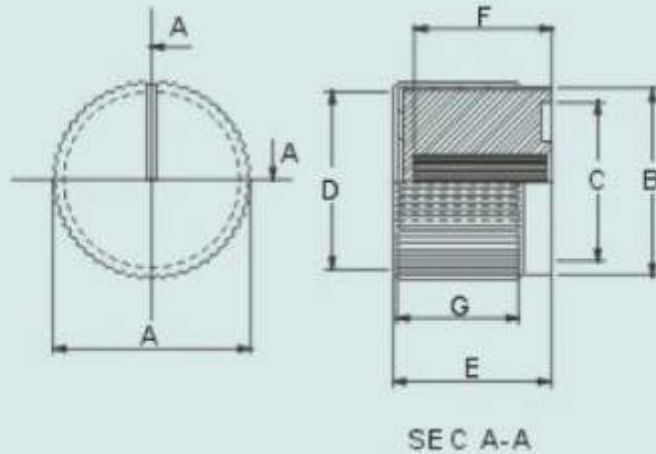


### Description

- Aluminum Shell with plastic insert
- Shaft hole:  $\varnothing$  6mm X 18 teeth
- Top & Side indicator line



PART NO.	COLOR	A	B	C	D	E	F	G
42036-1	NATURAL	14.9	13.9	10.9	13.3	16.1	14	12.4
42036-2	BLACK	14.9	13.9	10.9	13.3	16.1	14	12.4
42036-3	NATURAL	19.8	18.7	15.9	18.2	16.1	14	12.4
42036-4	BLACK	19.8	18.7	15.9	18.2	16.1	14	12.4
42036-5	NATURAL	24.9	23.9	20.9	22.8	16.1	14	12.4
42036-6	BLACK	24.9	23.9	20.9	22.8	16.1	14	12.4

ISS	ECN	SIGN	DATE	ISS	ECN	SIGN	DATE

NOTICE  
ALL RIGHTS RESERVED.  
UNAUTHORISED USE,  
DISCLOSURE OR  
REPRODUCTION IN  
WHOLE OR IN PART IS  
STRICTLY PROHIBITED.

© 2006



Durban Road, Bognor Regis  
West Sussex, UK, PO22 9QT  
Tel: +44 (0) 1243 860626  
Fax: +44 (0) 1243 866626  
email: sales@westside-supplies.co.uk  
Web: www.westside-supplies.co.uk

STANDARD TOLERANCES  
NO PLACE DEC.  $\pm 0.5$   
1 PLACE DEC.  $\pm 0.2$   
2 PLACE DEC.  $\pm 0.1$   
ANGULAR  $\pm 0.5^\circ$   
UNLESS STATED OTHERWISE  
SCALE: NTS

MATERIAL  
  
FINISH

DRAWN	DATE	SIGN	DATE
RM	13/12/06		
TITLE MACHINED KNOBS			
DRAWING No 42036			A4