

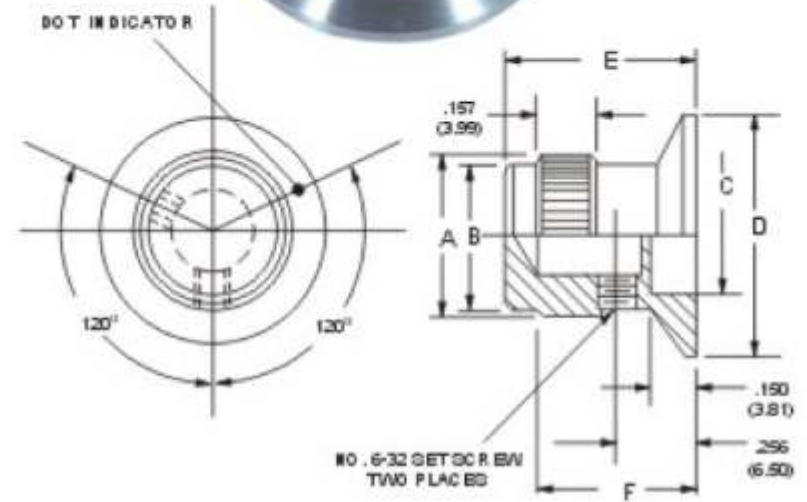


Description

- Material: Aluminum
- Knurl grip with top dot indicator



PART NO.	COLOR	A	B	C	D	E	F	SHAFT HOLE
42032-1	NTL&BLK.	12.7	11.7	9.65	19.0	16.0	16.0	3.2
42032-2	NTL&BLK.	12.7	11.7	9.65	19.0	16.0	16.0	6.4
42032-3	NTL&BLK.	19.0	18.0	16.0	28.7	16.0	16.0	6.4
42032-4	NTL&BLK.	23.9	22.9	20.0	36.6	16.0	16.0	6.4



ISS	ECN	SIGN	DATE	ISS	ECN	SIGN	DATE

NOTICE
ALL RIGHTS RESERVED.
UNAUTHORISED USE,
DISCLOSURE OR
REPRODUCTION IN
WHOLE OR IN PART IS
STRICTLY PROHIBITED.

© 2006



Durban Road, Bognor Regis
West Sussex, UK, PO22 9QT
Tel: +44 (0) 1243 860626
Fax: +44 (0) 1243 866626
email: sales@westside-supplies.co.uk
Web: www.westside-supplies.co.uk

STANDARD TOLERANCES
NO PLACE DEC. ±0.5
1 PLACE DEC. ±0.2
2 PLACE DEC. ±0.1
ANGULAR ±0.5°
UNLESS STATED OTHERWISE
SCALE: NTS

MATERIAL

FINISH

DRAWN	DATE	SIGN	DATE
RM	13/12/06		

TITLE MACHINED KNOBS

DRAWING No
42032

A4