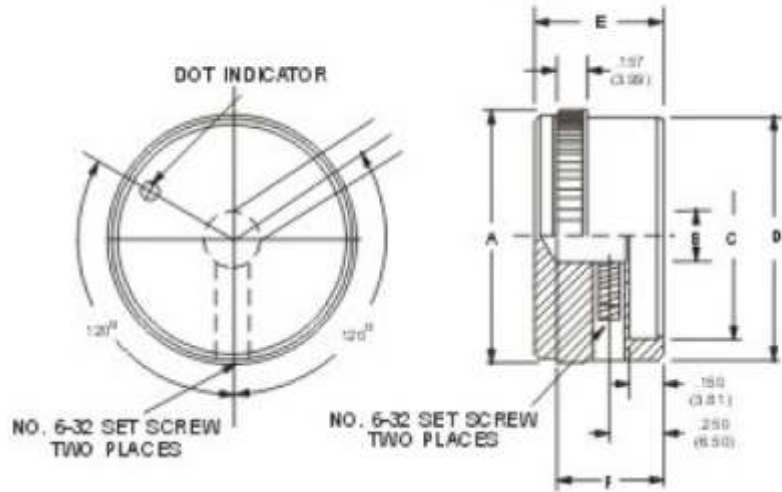




Description

- Material: Aluminum
- Knurl grip with top dot indicator



PART NO.	COLOR	A	B	C	D	E	F	SHAFT HOLE
42031-1	NTL&BLK	12.7	3.30	9.65	11.7	16.0	13.0	3.2
42031-2	NTL&BLK	12.7	3.30	9.65	11.7	16.0	13.0	6.4
42031-3	NTL&BLK	19.0	6.35	16.0	17.7	16.0	13.0	3.2
42031-4	NTL&BLK	19.0	6.35	16.0	17.7	16.0	13.0	6.4
42031-5	NTL&BLK	31.8	6.35	26.9	30.7	16.0	13.0	6.4

ISS	ECN	SIGN	DATE	ISS	ECN	SIGN	DATE

NOTICE
ALL RIGHTS RESERVED.
UNAUTHORISED USE,
DISCLOSURE OR
REPRODUCTION IN
WHOLE OR IN PART IS
STRICTLY PROHIBITED.

© 2006

 **Durban Road, Bognor Regis**
West Sussex, UK, PO22 9QT
Tel: +44 (0) 1243 860626
Fax: +44 (0) 1243 866626
email: sales@westside-supplies.co.uk
Web: www.westside-supplies.co.uk

STANDARD TOLERANCES
NO PLACE DEC. ±0.5
1 PLACE DEC. ±0.2
2 PLACE DEC. ±0.1
ANGULAR ±0.5°
UNLESS STATED OTHERWISE
SCALE: NTS

MATERIAL

FINISH

DRAWN	DATE	SIGN	DATE
RM	13/12/06		
TITLE MACHINED KNOBS			
DRAWING No 42031			A4