

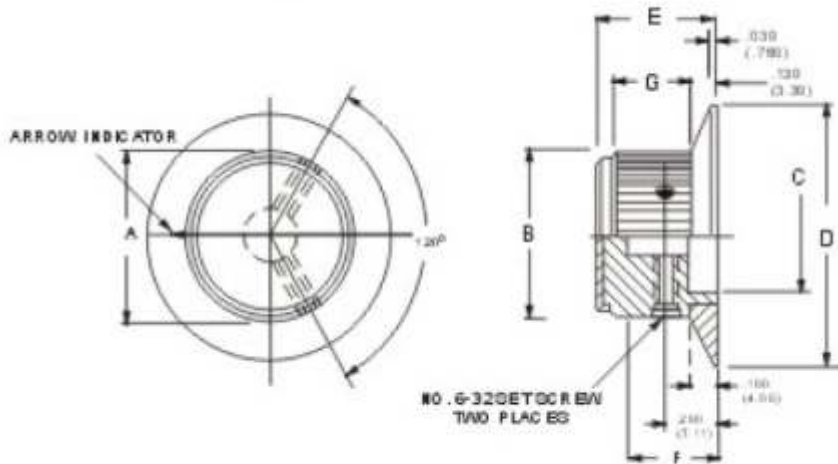


Description

- Material: Aluminum
- Straight knurl with arrow head indicator on skirt



PART NO.	COLOR	A	B	C	D	E	F	G	SHAFT HOLE
42029-1	NATURAL	12.7	11.4	9.65	19.0	16.0	13.0	10.9	3.2
42029-2	NATURAL	12.7	11.4	9.65	19.0	16.0	13.0	10.9	6.4
42029-3	BLACK	12.7	11.4	9.65	19.0	16.0	13.0	10.9	3.2
42029-4	BLACK	12.7	11.4	9.65	19.0	16.0	13.0	10.9	6.4
42029-5	NATURAL	19.0	17.8	14.9	28.3	16.0	13.0	10.9	6.4
42029-6	BLACK	19.0	17.8	14.9	28.3	16.0	13.0	10.9	6.4
BODY-TOP/SKIRT									
42029-7	BLK.&NTL	12.7	11.4	9.65	19.0	16.0	13.0	10.9	3.2
42029-8	BLK.&NTL	12.7	11.4	9.65	19.0	16.0	13.0	10.9	6.4
42029-9	BLK.&NTL	19.0	17.8	14.9	28.3	16.0	13.0	10.9	3.2
42029-10	BLK.&NTL	19.0	17.8	14.9	28.3	16.0	13.0	10.9	6.4



1/8" SHAFT = .126" (3.20)
1/4" SHAFT = .251" (6.35)

ISS	ECN	SIGN	DATE	ISS	ECN	SIGN	DATE

NOTICE
ALL RIGHTS RESERVED.
UNAUTHORISED USE,
DISCLOSURE OR
REPRODUCTION IN
WHOLE OR IN PART IS
STRICTLY PROHIBITED.

© 2006



Durban Road, Bognor Regis
West Sussex, UK, PO22 9QT
Tel: +44 (0) 1243 860626
Fax: +44 (0) 1243 866626
email: sales@westside-supplies.co.uk
Web: www.westside-supplies.co.uk

STANDARD TOLERANCES
NO PLACE DEC. ±0.5
1 PLACE DEC. ±0.2
2 PLACE DEC. ±0.1
ANGULAR ±0.5°
UNLESS STATED OTHERWISE
SCALE: NTS

MATERIAL

FINISH

DRAWN	DATE	SIGN	DATE
RM	13/12/06		
TITLE MACHINED KNOBS			
DRAWING No 42029			A4