

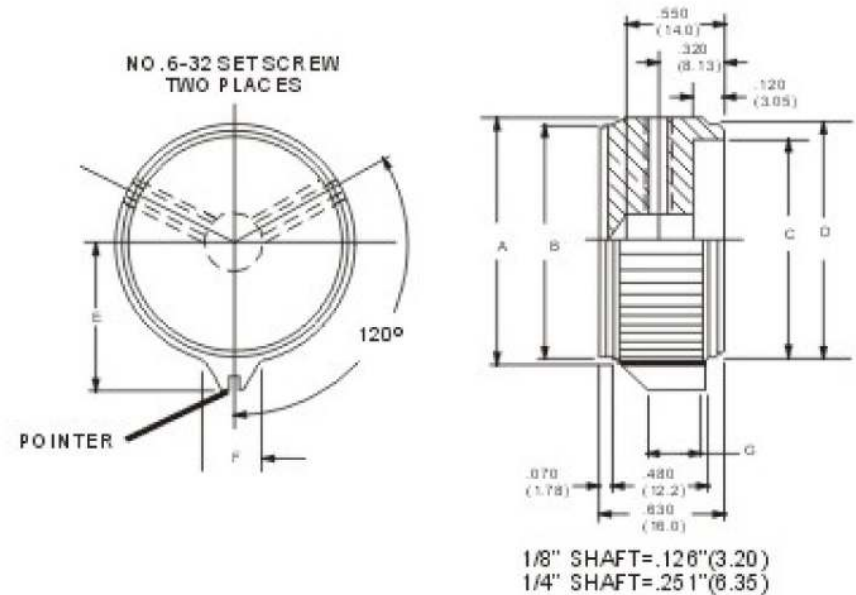


Description

- Material: Aluminum
- Straight knurl with pointer and indicator line



PART NO.	COLOR	A	B	C	D	E	F	G	SHAFTHOLE
42028-1	NATURAL	12.7	11.4	9.65	11.4	9.40	5.08	8.89	3.2
42028-2	NATURAL	12.7	11.4	9.65	11.4	9.40	5.08	8.89	6.4
42028-3	BLACK	12.7	11.4	9.65	21.4	9.40	5.08	8.89	3.2
42028-4	BLACK	12.7	11.4	9.65	21.4	9.40	5.08	8.89	6.4
42028-5	NATURAL	19.0	17.8	15.0	17.8	13.2	6.09	9.90	6.4
42028-6	BLACK	19.0	17.8	15.0	17.8	13.2	6.06	9.90	6.4
42028-7	NATURAL	23.9	22.3	18.0	22.3	16.0	7.00	8.89	6.4
42028-8	BLACK	23.9	22.3	18.0	22.3	16.0	7.00	8.89	6.4
TWO TONED									
42028-9	NTL&BLK	12.7	11.4	9.65	11.4	9.40	5.08	8.89	3.2
42028-10	NTL&BLK	12.7	11.4	9.65	11.4	9.40	5.08	8.89	4.6
42028-11	BLK.&NTL	12.7	11.4	9.65	11.4	9.40	5.08	8.89	3.2
42028-12	BLK.&NTL	12.7	11.4	9.65	11.4	9.40	5.08	8.89	4.6
42028-13	NTL.&BLK	19.0	17.8	15.0	17.8	13.2	6.09	9.90	4.6
42028-14	BLK.&NTL	19.0	17.8	15.0	17.8	13.2	6.09	9.90	4.6
42028-15	NTL.&BLK	23.9	22.3	18.0	22.3	16.0	7.00	8.89	4.6
42028-16	BLK.&NTL	23.9	22.3	18.0	22.3	16.0	7.00	8.89	4.6



ISS	ECN	SIGN	DATE	ISS	ECN	SIGN	DATE

NOTICE
ALL RIGHTS RESERVED.
UNAUTHORISED USE,
DISCLOSURE OR
REPRODUCTION IN
WHOLE OR IN PART IS
STRICTLY PROHIBITED.

©2006



Durban Road, Bognor Regis
West Sussex, UK, PO22 9QT
Tel: +44 (0) 1243 860626
Fax: +44 (0) 1243 866626
email: sales@westside-supplies.co.uk
Web: www.westside-supplies.co.uk

STANDARD TOLERANCES
NO PLACE DEC. ±0.5
1 PLACE DEC. ±0.2
2 PLACE DEC. ±0.1
ANGULAR ±0.5°
UNLESS STATED OTHERWISE
SCALE: NTS

MATERIAL

FINISH

DRAWN	DATE	SIGN	DATE
RM	13/12/06		

TITLE MACHINED KNOBS

DRAWING No
42028

A4