

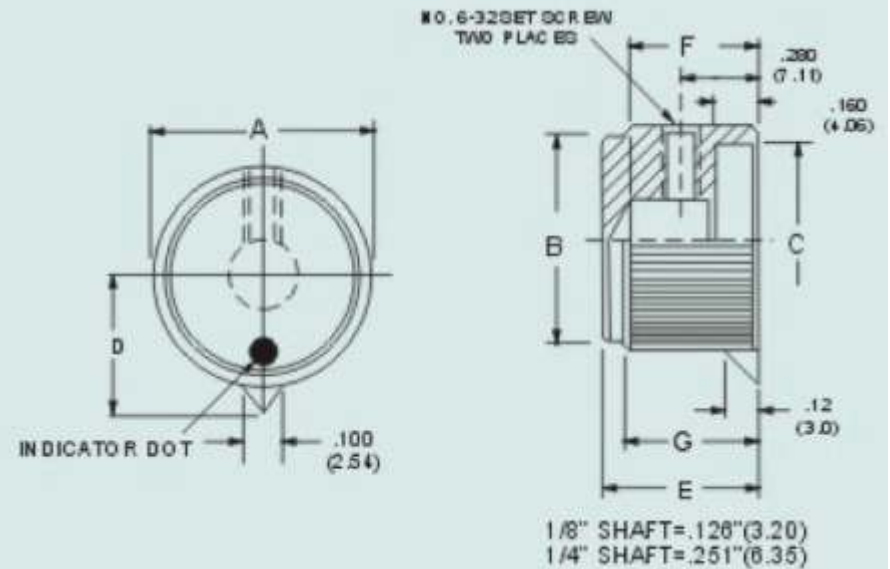


### Description

- Material: Aluminum
- Straight knurl formed pointer and dot indicator



PART NO.	COLOR	A	B	C	D	E	F	G	SHAFTHOLE
42026-1	NATURAL	12.7	11.4	11.0	8.89	13.7	11.4	11.9	32
42026-2	NATURAL	12.7	11.4	11.0	8.89	13.7	11.4	11.9	6.4
42026-3	BLACK	12.7	11.4	11.0	8.89	13.7	11.4	11.9	32
42026-4	BLACK	12.7	11.4	11.0	8.89	13.7	11.4	11.9	6.4
42026-5	NATURAL	19.0	17.5	15.7	11.9	13.7	11.4	11.9	6.4
42026-6	BLACK	19.0	17.5	15.7	11.9	13.7	11.4	11.9	6.4
42026-7	NATURAL	23.9	22.3	20.8	14.5	13.7	11.4	11.9	6.4
42026-8	BLACK	23.9	22.3	20.8	14.5	13.7	11.4	11.9	6.4



ISS	ECN	SIGN	DATE	ISS	ECN	SIGN	DATE

NOTICE  
ALL RIGHTS RESERVED.  
UNAUTHORISED USE,  
DISCLOSURE OR  
REPRODUCTION IN  
WHOLE OR IN PART IS  
STRICTLY PROHIBITED.

© 2006



Durban Road, Bognor Regis  
West Sussex, UK, PO22 9QT  
Tel: +44 (0) 1243 860626  
Fax: +44 (0) 1243 866626  
email: sales@westside-supplies.co.uk  
Web: www.westside-supplies.co.uk

STANDARD TOLERANCES  
NO PLACE DEC. ±0.5  
1 PLACE DEC. ±0.2  
2 PLACE DEC. ±0.1  
ANGULAR ±0.5°  
UNLESS STATED OTHERWISE  
SCALE: NTS

MATERIAL

FINISH

DRAWN	DATE	SIGN	DATE
RM	13/12/06		
TITLE Machined Knobs			
DRAWING No 42026			A4