

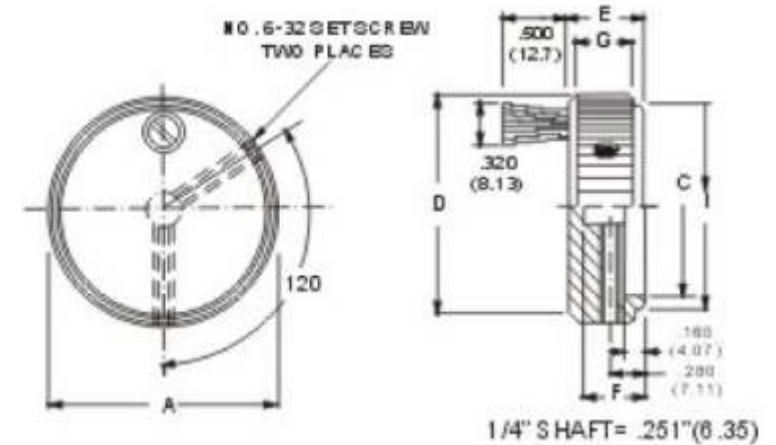


Description

- Material: Aluminum
- Straight knurl with crank spinner



PART NO.	COLOR	A	B	C	D	E	F	G
42025-1	NATURAL	44.4	39.4	34.8	41.9	16.0	13.0	12.2
42025-2	BLACK	44.4	39.4	34.8	41.9	16.0	13.0	12.2
42025-3	NTL&BLK/BLK.	44.4	39.4	34.8	41.9	16.0	13.0	12.2
42025-4	BLK.&NTL/BLK.	44.4	39.4	34.8	41.9	16.0	13.0	12.2



ISS	ECN	SIGN	DATE	ISS	ECN	SIGN	DATE

NOTICE
ALL RIGHTS RESERVED.
UNAUTHORISED USE,
DISCLOSURE OR
REPRODUCTION IN
WHOLE OR IN PART IS
STRICTLY PROHIBITED.

© 2006



Durban Road, Bognor Regis
West Sussex, UK, PO22 9QT
Tel: +44 (0) 1243 860626
Fax: +44 (0) 1243 866626
email: sales@westside-supplies.co.uk
Web: www.westside-supplies.co.uk

STANDARD TOLERANCES
NO PLACE DEC. ±0.5
1 PLACE DEC. ±0.2
2 PLACE DEC. ±0.1
ANGULAR ±0.5°
UNLESS STATED OTHERWISE
SCALE: NTS

MATERIAL

FINISH

DRAWN	DATE	SIGN	DATE
RM	13/12/06		
TITLE Machined Knobs			
DRAWING No 42025			A4