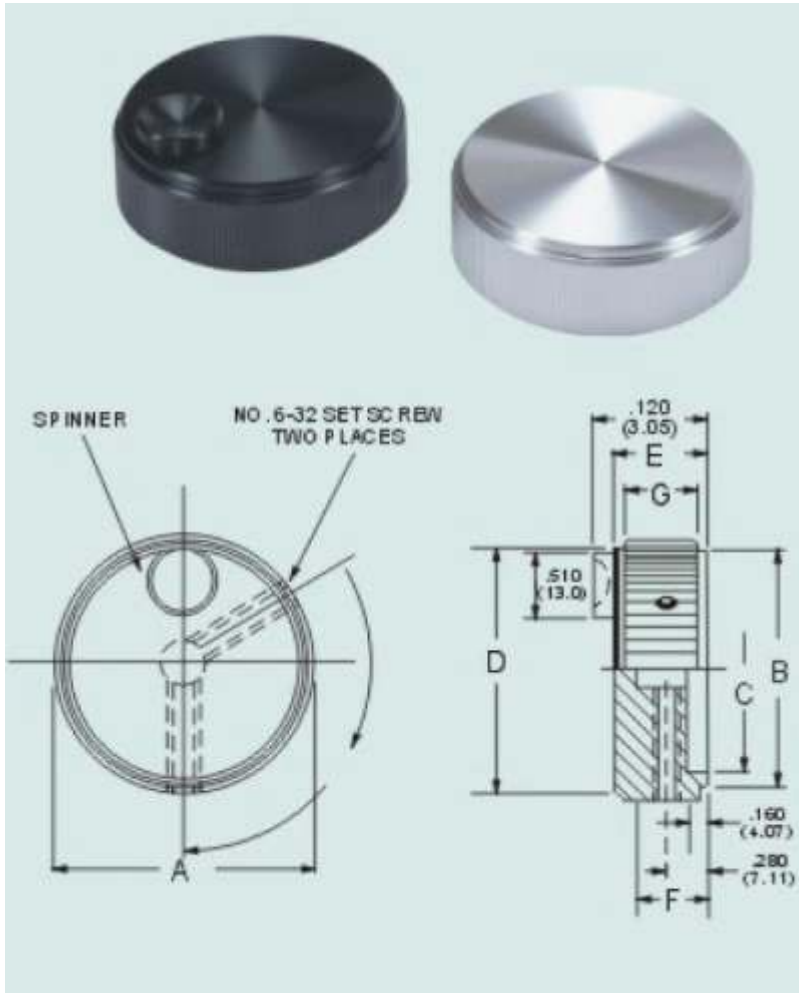


### Description

- Material: Aluminum
- Straight knurl with or without fingertip spinner

PART NO.	COLOR	A	B	C	D	E	F	G
<b>WITHOUT INDICATOR 無指示線</b>								
42023-1	NATURAL	44.4	39.4	34.8	41.9	16.0	13.0	12.2
	BLACK	44.4	39.4	34.8	41.9	16.0	13.0	12.2
42023-3	NTL.&BLK.	44.4	39.4	34.8	41.9	16.0	13.0	12.2
42023-4	BLK.&NTL.	44.4	39.4	34.8	41.9	16.0	13.0	12.2
<b>WITH INDICATOR 加指示線</b>								
42023-5	NATURAL	44.4	39.4	34.8	41.9	16.0	13.0	12.2
42023-6	BLACK	44.4	39.4	34.8	41.9	16.0	13.0	12.2
<b>WITH SPINNER/WIT HOUT INDICATOR 帶指示線/不加指示線</b>								
42023-7	NATURAL	44.4	39.4	34.8	41.9	16.0	13.0	12.2
42023-8	BLACK	44.4	39.4	34.8	41.9	16.0	13.0	12.2
42023-9	NTL.&BLK.	44.4	39.4	34.8	41.9	16.0	13.0	12.2
42023-10	BLK.&NTL.	44.4	39.4	34.8	41.9	16.0	13.0	12.2



ISS	ECN	SIGN	DATE	ISS	ECN	SIGN	DATE

NOTICE  
ALL RIGHTS RESERVED.  
UNAUTHORISED USE,  
DISCLOSURE OR  
REPRODUCTION IN  
WHOLE OR IN PART IS  
STRICTLY PROHIBITED.

© 2006



Durban Road, Bognor Regis  
West Sussex, UK, PO22 9QT  
Tel: +44 (0) 1243 860626  
Fax: +44 (0) 1243 866626  
email: sales@westside-supplies.co.uk  
Web: www.westside-supplies.co.uk

STANDARD TOLERANCES  
NO PLACE DEC. ±0.5  
1 PLACE DEC. ±0.2  
2 PLACE DEC. ±0.1  
ANGULAR ±0.5°  
UNLESS STATED OTHERWISE  
SCALE: NTS

MATERIAL  
  
FINISH

DRAWN	DATE	SIGN	DATE
RM	13/12/06		
TITLE Machined Knobs			
DRAWING No 42023			A4