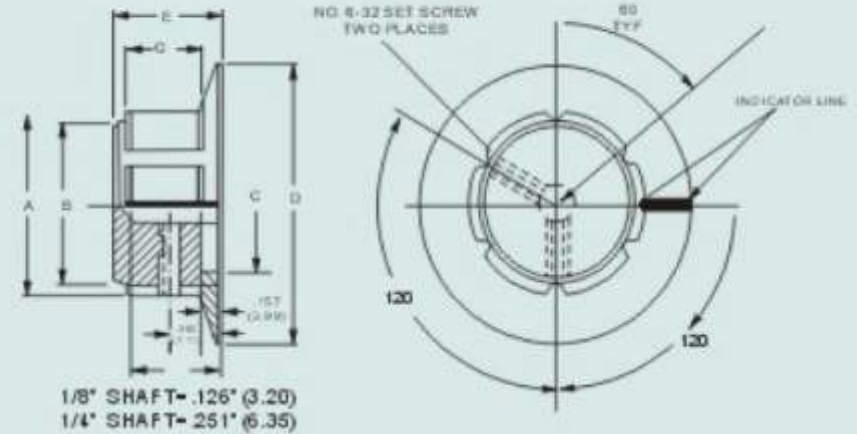


Description

- Material: Aluminum
- 6 Flute design with spun aluminum top inlay and skirt with indicator line



PART NO.	COLOR	A	B	C	D	E	F	G	SHAFT HOLE
42015-1	NATURAL	12.7	10.9	9.65	18.8	16.0	13.0	10.9	3.2
42015-2	NATURAL	12.7	10.9	9.65	18.8	16.0	13.0	10.9	6.4
42015-3	BLACK	12.7	10.9	9.65	18.8	16.0	13.0	10.9	3.2
42015-4	BLACK	12.7	10.9	9.65	18.8	16.0	13.0	10.9	6.4
42015-5	NATURAL	19.0	16.5	15.0	28.4	16.0	28.4	7.11	6.4
42015-6	BLACK	19.0	16.5	15.0	28.4	16.0	28.4	7.11	6.4
42015-7	NATURAL	23.9	20.8	18.0	35.5	16.0	28.4	7.11	6.4
42015-8	BLACK	23.9	20.8	18.0	35.5	16.0	28.4	7.11	6.4



ISS	ECN	SIGN	DATE	ISS	ECN	SIGN	DATE

NOTICE
ALL RIGHTS RESERVED.
UNAUTHORISED USE,
DISCLOSURE OR
REPRODUCTION IN
WHOLE OR IN PART IS
STRICTLY PROHIBITED.

© 2006



Durban Road, Bognor Regis
West Sussex, UK, PO22 9QT
Tel: +44 (0) 1243 860626
Fax: +44 (0) 1243 866626
email: sales@westside-supplies.co.uk
Web: www.westside-supplies.co.uk

STANDARD TOLERANCES
NO PLACE DEC. ±0.5
1 PLACE DEC. ±0.2
2 PLACE DEC. ±0.1
ANGULAR ±0.5°
UNLESS STATED OTHERWISE
SCALE: NTS

MATERIAL

FINISH

DRAWN	DATE	SIGN	DATE
RM	13/12/06		

TITLE **Machined Knobs**

DRAWING No
42015

A4