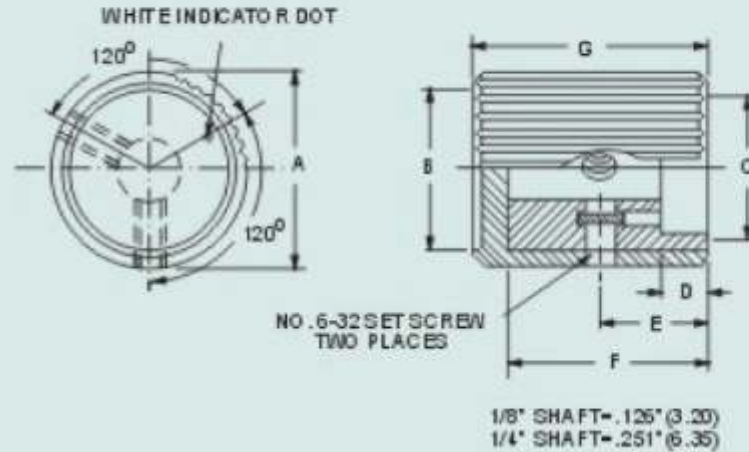




Description

- Material: Aluminum shell with plastic insert
- Finish: Anodized black
- With two No. 6-32 set screws
- Serrated diamond trim cut with dot indicator
- Solid aluminum knob is available
- Black or natural color are available



PART NO.	A	B	C	D	E	F	G
42007-1	9.40	7.11	7.11	2.54	5.08	6.1	7.60
42007-2	9.40	7.11	7.11	2.54	5.08	9.1	11.4
42007-3	12.7	10.4	9.65	3.05	7.11	13.0	15.2
42007-4	19.0	16.5	14.9	3.05	7.11	13.0	15.2

ISS	ECN	SIGN	DATE	ISS	ECN	SIGN	DATE

NOTICE
ALL RIGHTS RESERVED.
UNAUTHORISED USE,
DISCLOSURE OR
REPRODUCTION IN
WHOLE OR IN PART IS
STRICTLY PROHIBITED.

© 2006



Durban Road, Bognor Regis
West Sussex, UK, PO22 9QT
Tel: +44 (0) 1243 860626
Fax: +44 (0) 1243 866626
email: sales@westside-supplies.co.uk
Web: www.westside-supplies.co.uk

STANDARD TOLERANCES
NO PLACE DEC. ±0.5
1 PLACE DEC. ±0.2
2 PLACE DEC. ±0.1
ANGULAR ±0.5°
UNLESS STATED OTHERWISE
SCALE: NTS

MATERIAL

FINISH

DRAWN	DATE	SIGN	DATE
RM	13/12/06		
TITLE Machined Knobs			
DRAWING No 42007			A4