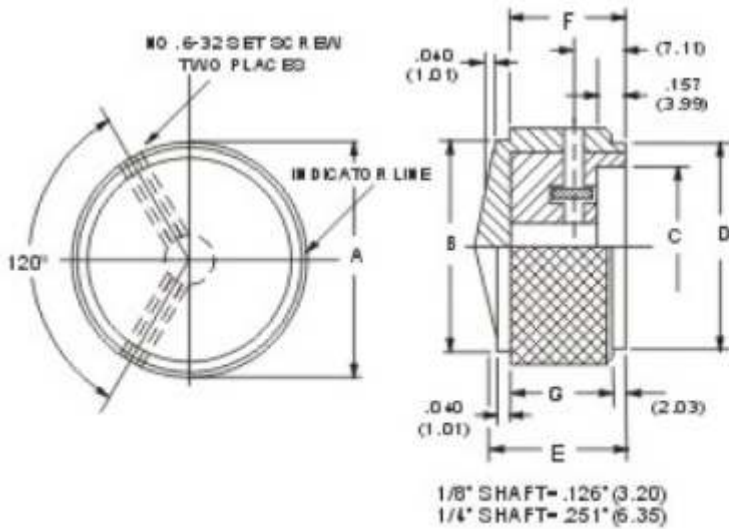


### Description

- Material: Aluminum shell with plastic insert
- Finish: Anodized black and natural
- With two No. 6-32 set screws
- Diamond knurl with indicator line
- Solid aluminum knob is available



PART NO.	COLOR	A	B	C	D	E	F	G
42003-1	NATURAL	13.3	10.9	9.65	10.9	16.0	13.0	11.9
42003-2	BLACK	13.3	10.9	9.65	10.9	16.0	13.0	11.9
42003-3	NATURAL	19.5	16.8	15.0	16.8	16.0	13.0	11.9
42003-4	BLACK	19.5	16.8	15.0	16.8	16.0	13.0	11.9
42003-5	NATURAL	24.7	20.8	18.0	20.8	16.0	13.0	11.9
42003-6	BLACK	24.7	20.8	18.0	20.8	16.0	13.0	11.9
42003-7	NATURAL	32.3	28.2	24.9	28.2	19.0	16.0	15.0
42003-8	BLACK	32.3	28.2	24.9	28.2	19.0	16.0	15.0

ISS	ECN	SIGN	DATE	ISS	ECN	SIGN	DATE

NOTICE  
ALL RIGHTS RESERVED.  
UNAUTHORISED USE,  
DISCLOSURE OR  
REPRODUCTION IN  
WHOLE OR IN PART IS  
STRICTLY PROHIBITED.

© 2006

**Durban Road, Bognor Regis**  
**West Sussex, UK, PO22 9QT**  
Tel: +44 (0) 1243 860626  
Fax: +44 (0) 1243 866626  
email: [sales@westside-supplies.co.uk](mailto:sales@westside-supplies.co.uk)  
Web: [www.westside-supplies.co.uk](http://www.westside-supplies.co.uk)

STANDARD TOLERANCES  
NO PLACE DEC. ±0.5  
1 PLACE DEC. ±0.2  
2 PLACE DEC. ±0.1  
ANGULAR ±0.5°  
UNLESS STATED OTHERWISE

SCALE: NTS

MATERIAL

FINISH

DRAWN	DATE	SIGN	DATE
RM	13/12/06		
TITLE <b>Machined Knobs</b>			
DRAWING No 42003			A4