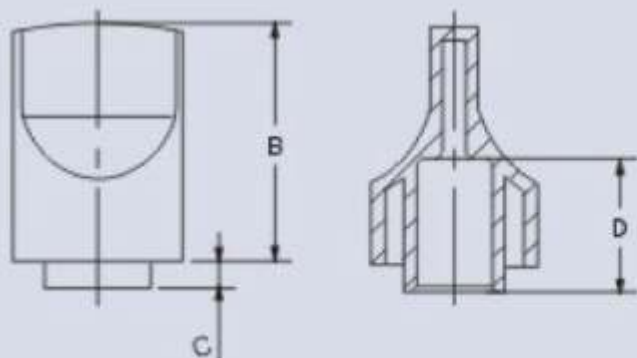
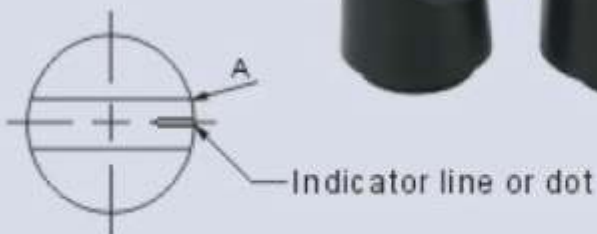


### Description

- Material: ABS
- Finish: matt, Light texture
- indicator line or dot
- Shaft hole:  $\phi$  6mm X 18 teeth



| PARTNO. | A    | B    | C   | D    |
|---------|------|------|-----|------|
| 41045-1 | 10.7 | 13.5 | 1.5 | 6.6  |
| 41045-2 | 13   | 17.7 | 5   | 10   |
| 41045-3 | 15   | 17.7 | 1.5 | 11.2 |
| 41045-4 | 20   | 20.5 | 0   | 12.0 |

| ISS | ECN | SIGN | DATE | ISS | ECN | SIGN | DATE |
|-----|-----|------|------|-----|-----|------|------|
|     |     |      |      |     |     |      |      |
|     |     |      |      |     |     |      |      |
|     |     |      |      |     |     |      |      |
|     |     |      |      |     |     |      |      |

NOTICE  
ALL RIGHTS RESERVED.  
UNAUTHORISED USE,  
DISCLOSURE OR  
REPRODUCTION IN  
WHOLE OR IN PART IS  
STRICTLY PROHIBITED.

© 2006



Durban Road, Bognor Regis  
West Sussex, UK, PO22 9QT  
Tel: +44 (0) 1243 860626  
Fax: +44 (0) 1243 866626  
email: sales@westside-supplies.co.uk  
Web: www.westside-supplies.co.uk

STANDARD TOLERANCES  
NO PLACE DEC.  $\pm 0.5$   
1 PLACE DEC.  $\pm 0.2$   
2 PLACE DEC.  $\pm 0.1$   
ANGULAR  $\pm 0.5^\circ$   
UNLESS STATED OTHERWISE  
SCALE: NTS

MATERIAL

FINISH

| DRAWN | DATE     | SIGN | DATE |
|-------|----------|------|------|
| RM    | 11/12/06 |      |      |

TITLE Tuning Knobs

DRAWING No  
41045

A4