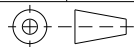


DRAWING No  
41044

DO NOT SCALE



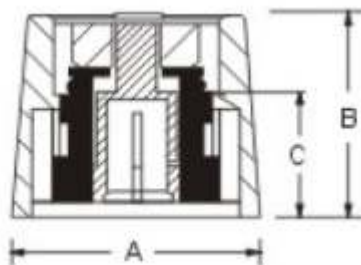
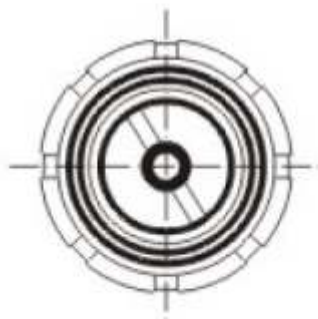
DIMENSIONS IN MILLIMETRES  
FIRST ANGLE PROJECTION

CAD SYSTEM: AutoCAD 2005

CAD FILE NAME: //smbserver/drawings/41044

### Description

- Material: ABS
- Finish: matt, Light texture
- Plastic cap on top, color option
- Collected knob with brass insert
- Shaft hole:  $\phi$  6mm, 18 teeth available



PARTNO.	A	B	C
41044-1	10	13.5	6.8
41044-2	11.5	13.5	6.8
41044-3	12.5	13.5	6.8
41044-4	15.8	13.7	6.8

ISS	ECN	SIGN	DATE	ISS	ECN	SIGN	DATE

NOTICE  
ALL RIGHTS RESERVED.  
UNAUTHORISED USE,  
DISCLOSURE OR  
REPRODUCTION IN  
WHOLE OR IN PART IS  
STRICTLY PROHIBITED.

© 2006



Durban Road, Bognor Regis  
West Sussex, UK, PO22 9QT  
Tel: +44 (0) 1243 860626  
Fax: +44 (0) 1243 866626  
email: sales@westside-supplies.co.uk  
Web: www.westside-supplies.co.uk

STANDARD TOLERANCES  
NO PLACE DEC.  $\pm 0.5$   
1 PLACE DEC.  $\pm 0.2$   
2 PLACE DEC.  $\pm 0.1$   
ANGULAR  $\pm 0.5^\circ$   
UNLESS STATED OTHERWISE  
SCALE: NTS

MATERIAL

FINISH

DRAWN	DATE	SIGN	DATE
RM	11/12/06		
TITLE Tuning Knobs			

DRAWING No  
41044

A4