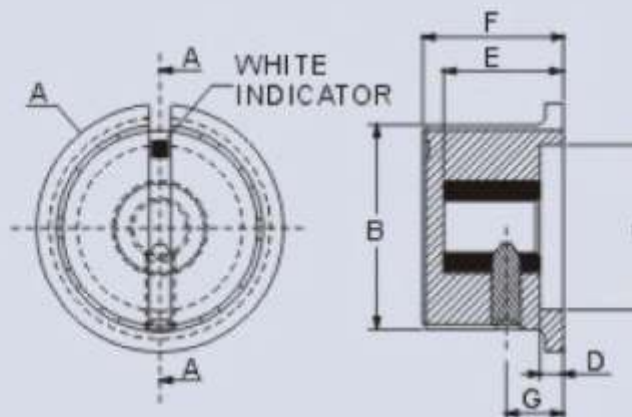


Description

- Material: Phenolic
- Brass insert
- With 6-32 & 4-40 set screw
- Finish with light texture · white indicator on top
- Shaft hole: ϕ 6.4mm X 3.2mm



PART NO.	A	B	C	D	E	F	G
41042-1	15	11.8	9.6	2	11.6	13.9	5
41042-2	20	15.7	12.1	1.5	12.9	15.3	6
41042-3	29.7	24.6	19.8	2.3	14.5	17.1	7
41042-4	34.8	28.5	23.9	2.5	13.7	17.9	7
41042-5	39.8	33.2	27.7	3	15.6	19	6.9

ISS	ECN	SIGN	DATE	ISS	ECN	SIGN	DATE

NOTICE
ALL RIGHTS RESERVED.
UNAUTHORISED USE,
DISCLOSURE OR
REPRODUCTION IN
WHOLE OR IN PART IS
STRICTLY PROHIBITED.

© 2006



Durban Road, Bognor Regis
West Sussex, UK, PO22 9QT
Tel: +44 (0) 1243 860626
Fax: +44 (0) 1243 866626
email: sales@westside-supplies.co.uk
Web: www.westside-supplies.co.uk

STANDARD TOLERANCES
NO PLACE DEC. ± 0.5
1 PLACE DEC. ± 0.2
2 PLACE DEC. ± 0.1
ANGULAR $\pm 0.5^\circ$
UNLESS STATED OTHERWISE
SCALE: NTS

MATERIAL

FINISH

DRAWN	DATE	SIGN	DATE
RM	11/12/06		

TITLE Tuning Knobs

DRAWING No
41042

A4