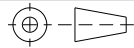


DRAWING No
41035

DO NOT SCALE



DIMENSIONS IN MILLIMETRES
FIRST ANGLE PROJECTION

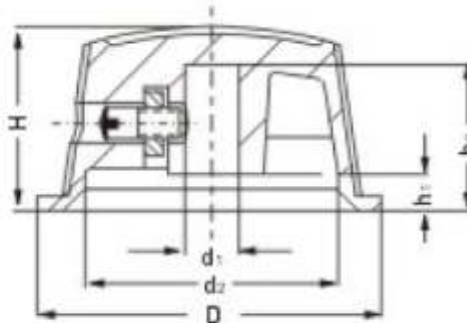
CAD SYSTEM: AutoCAD 2005

CAD FILE NAME: //smbserver/drawings/41035

Description

- Material: Phenolic
- White epoxy painted indicator

PART NO.	D	d ₁	d ₂	H	h ₁	h ₂
41035	38	6	28	18	4	16



ISS	ECN	SIGN	DATE	ISS	ECN	SIGN	DATE

NOTICE
ALL RIGHTS RESERVED.
UNAUTHORISED USE,
DISCLOSURE OR
REPRODUCTION IN
WHOLE OR IN PART IS
STRICTLY PROHIBITED.

© 2006



Durban Road, Bognor Regis
West Sussex, UK, PO22 9QT
Tel: +44 (0) 1243 860626
Fax: +44 (0) 1243 866626
email: sales@westside-supplies.co.uk
Web: www.westside-supplies.co.uk

STANDARD TOLERANCES
NO PLACE DEC. ±0.5
1 PLACE DEC. ±0.2
2 PLACE DEC. ±0.1
ANGULAR ±0.5°
UNLESS STATED OTHERWISE
SCALE: NTS

MATERIAL

FINISH

DRAWN	DATE	SIGN	DATE
RM	11/12/06		

TITLE Tuning Knobs

DRAWING No
41035

A4