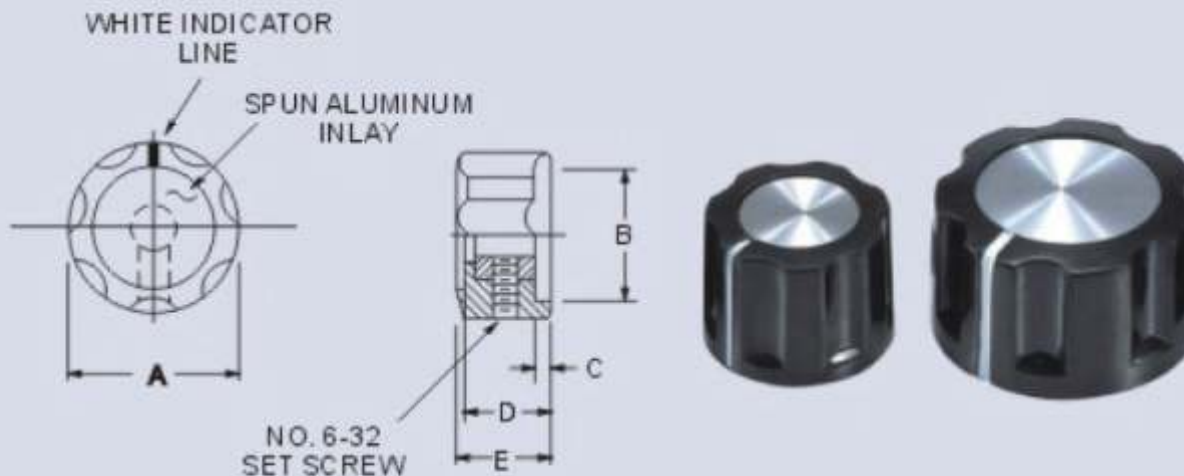




Description

- Material: Phenolic
- With No. 6-32 set screw
- Fluted with white indicator line
- Al. cap on top



PART NO.	A	B	C	D	E	Shaft hole
41034-1	16	12.0	2.31	10.0	12.0	3.2
41034-2	16	12.0	2.31	10.0	12.0	6.4
41034-3	22.6	18.4	2.49	12.2	13.0	6.4

ISS	ECN	SIGN	DATE	ISS	ECN	SIGN	DATE

NOTICE
ALL RIGHTS RESERVED.
UNAUTHORISED USE,
DISCLOSURE OR
REPRODUCTION IN
WHOLE OR IN PART IS
STRICTLY PROHIBITED.

© 2006

WESTSIDE SUPPLIES LIMITED

*Durban Road, Bognor Regis
West Sussex, UK, PO22 9QT*
Tel: +44 (0) 1243 860626
Fax: +44 (0) 1243 866626
email: sales@westside-supplies.co.uk
Web: www.westside-supplies.co.uk

STANDARD TOLERANCES
NO PLACE DEC. ±0.5
1 PLACE DEC. ±0.2
2 PLACE DEC. ±0.1
ANGULAR ±0.5°
UNLESS STATED OTHERWISE

SCALE: NTS

MATERIAL

FINISH

DRAWN	DATE	SIGN	DATE
RM	11/12/06		
TITLE Tuning Knobs			
DRAWING No 41034			A4