

DRAWING No
41033

DO NOT SCALE



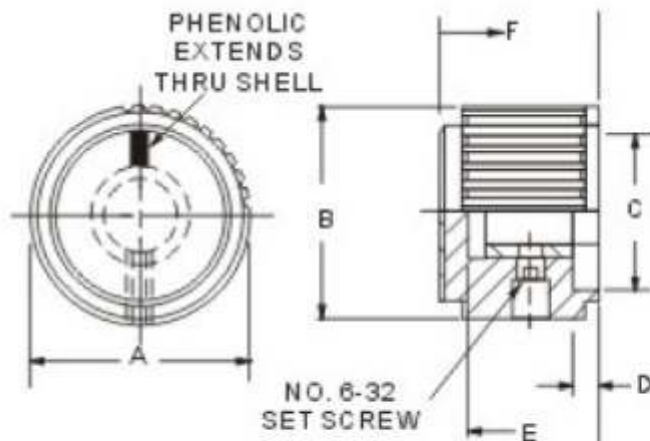
DIMENSIONS IN MILLIMETRES
FIRST ANGLE PROJECTION

CAD SYSTEM: AutoCAD 2005

CAD FILE NAME: //smbserver/drawings/41033

Description

- Material: Phenolic
- With No. 6-32 set screw
- Fluted on outside
- Al. cap on top with black indicator line



PART NO.	A	B	C	D	E	F
41033	20.0	19.4	14.5	2.49	12.5	15.0

ISS	ECN	SIGN	DATE	ISS	ECN	SIGN	DATE

NOTICE
ALL RIGHTS RESERVED.
UNAUTHORISED USE,
DISCLOSURE OR
REPRODUCTION IN
WHOLE OR IN PART IS
STRICTLY PROHIBITED.

© 2006



Durban Road, Bognor Regis
West Sussex, UK, PO22 9QT
Tel: +44 (0) 1243 860626
Fax: +44 (0) 1243 866626
email: sales@westside-supplies.co.uk
Web: www.westside-supplies.co.uk

STANDARD TOLERANCES
NO PLACE DEC. ±0.5
1 PLACE DEC. ±0.2
2 PLACE DEC. ±0.1
ANGULAR ±0.5°
UNLESS STATED OTHERWISE
SCALE: NTS

MATERIAL

FINISH

DRAWN	DATE	SIGN	DATE
RM	11/12/06		
TITLE Tuning Knobs			
DRAWING No 41033			A4