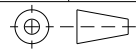


DRAWING No  
41031

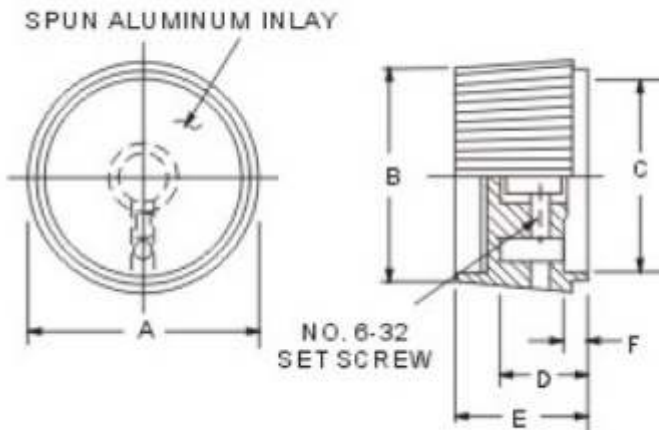
DO NOT SCALE



DIMENSIONS IN MILLIMETRES  
FIRST ANGLE PROJECTION

CAD SYSTEM: AutoCAD 2005

CAD FILE NAME: //smbserver/drawings/41031



### Description

- Material: Phenolic
- With No. 6-32 set screw
- Straight knurl outside
- Al. inlay on top

PART NO.	A	B	C	D	E	F
<b>41031</b>	25.3	24.7	20.3	12.0	17.0	3.99

ISS	ECN	SIGN	DATE	ISS	ECN	SIGN	DATE

NOTICE  
ALL RIGHTS RESERVED.  
UNAUTHORISED USE,  
DISCLOSURE OR  
REPRODUCTION IN  
WHOLE OR IN PART IS  
STRICTLY PROHIBITED.

© 2006



**Durban Road, Bognor Regis**  
**West Sussex, UK, PO22 9QT**  
Tel: +44 (0) 1243 860626  
Fax: +44 (0) 1243 866626  
email: [sales@westside-supplies.co.uk](mailto:sales@westside-supplies.co.uk)  
Web: [www.westside-supplies.co.uk](http://www.westside-supplies.co.uk)

STANDARD TOLERANCES  
NO PLACE DEC. ±0.5  
1 PLACE DEC. ±0.2  
2 PLACE DEC. ±0.1  
ANGULAR ±0.5°  
UNLESS STATED OTHERWISE  
SCALE: NTS

MATERIAL

FINISH

DRAWN	DATE	SIGN	DATE
RM	11/12/06		
TITLE Tuning Knobs			

DRAWING No  
41031

A4