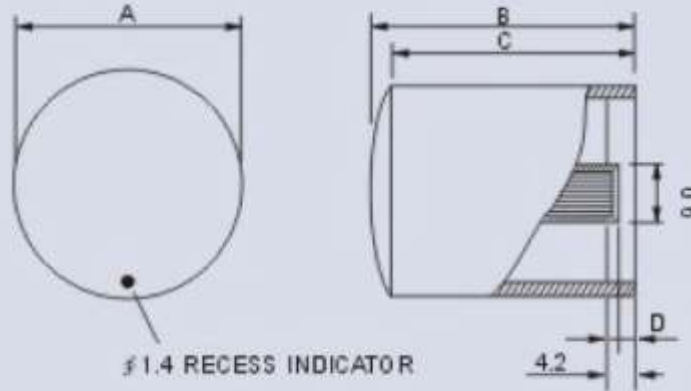


### Description

- Material: ABS
- Finish: Light texture
- Indicator line on the top and side
- Shaft Hole:  $\phi$  6mm X 18 teeth



PART NO.	A	B	C	D
41027-1	14.1	16.5	15	4.5
41027-2	20.2	20.3	18.4	0
41027-3	34.8	20.2	17.7	4.8

ISS	ECN	SIGN	DATE	ISS	ECN	SIGN	DATE

NOTICE  
ALL RIGHTS RESERVED.  
UNAUTHORISED USE,  
DISCLOSURE OR  
REPRODUCTION IN  
WHOLE OR IN PART IS  
STRICTLY PROHIBITED.

© 2006



Durban Road, Bognor Regis  
West Sussex, UK, PO22 9QT  
Tel: +44 (0) 1243 860626  
Fax: +44 (0) 1243 866626  
email: sales@westside-supplies.co.uk  
Web: www.westside-supplies.co.uk

STANDARD TOLERANCES  
NO PLACE DEC.  $\pm 0.5$   
1 PLACE DEC.  $\pm 0.2$   
2 PLACE DEC.  $\pm 0.1$   
ANGULAR  $\pm 0.5^\circ$   
UNLESS STATED OTHERWISE  
SCALE: NTS

MATERIAL

FINISH

DRAWN	DATE	SIGN	DATE
RM	11/12/06		

TITLE Tuning Knobs

DRAWING No  
41027

A4