

DRAWING No
41021

DO NOT SCALE



DIMENSIONS IN MILLIMETRES
FIRST ANGLE PROJECTION

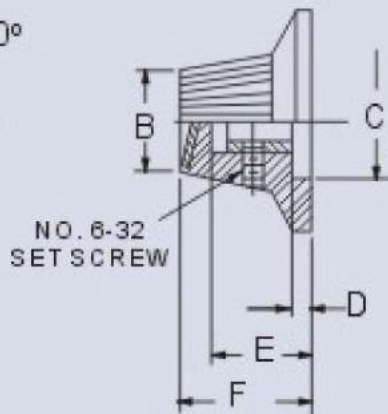
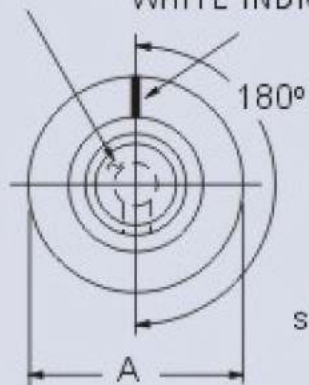
CAD SYSTEM: AutoCAD 2005

CAD FILE NAME: //smbserver/drawings/41021



SPUN ALUMINUM INLAY

WHITE INDICATOR LINE



Description

- Material: Black phenolic
- With spun aluminum top inlay and straight knurl with indicator line on skirt
- W/O aluminum skirt

| PART NO. | A | B | C | D | E | F |
|----------------|------|------|------|------|------|------|
| 41021-1 | 28.4 | 14.2 | 15.8 | 2.28 | 13.0 | 17.0 |

| ISS | ECN | SIGN | DATE | ISS | ECN | SIGN | DATE |
|-----|-----|------|------|-----|-----|------|------|
| | | | | | | | |
| | | | | | | | |
| | | | | | | | |

NOTICE
ALL RIGHTS RESERVED.
UNAUTHORISED USE,
DISCLOSURE OR
REPRODUCTION IN
WHOLE OR IN PART IS
STRICTLY PROHIBITED.

© 2006



*Durban Road, Bognor Regis
West Sussex, UK, PO22 9QT*
Tel: +44 (0) 1243 860626
Fax: +44 (0) 1243 866626
email: sales@westside-supplies.co.uk
Web: www.westside-supplies.co.uk

STANDARD TOLERANCES
NO PLACE DEC. ±0.5
1 PLACE DEC. ±0.2
2 PLACE DEC. ±0.1
ANGULAR ±0.5°

UNLESS STATED OTHERWISE

SCALE: NTS

MATERIAL

FINISH

| DRAWN | DATE | SIGN | DATE |
|-------|----------|------|------|
| RM | 11/12/06 | | |

TITLE Tuning Knobs

DRAWING No
41021

A4