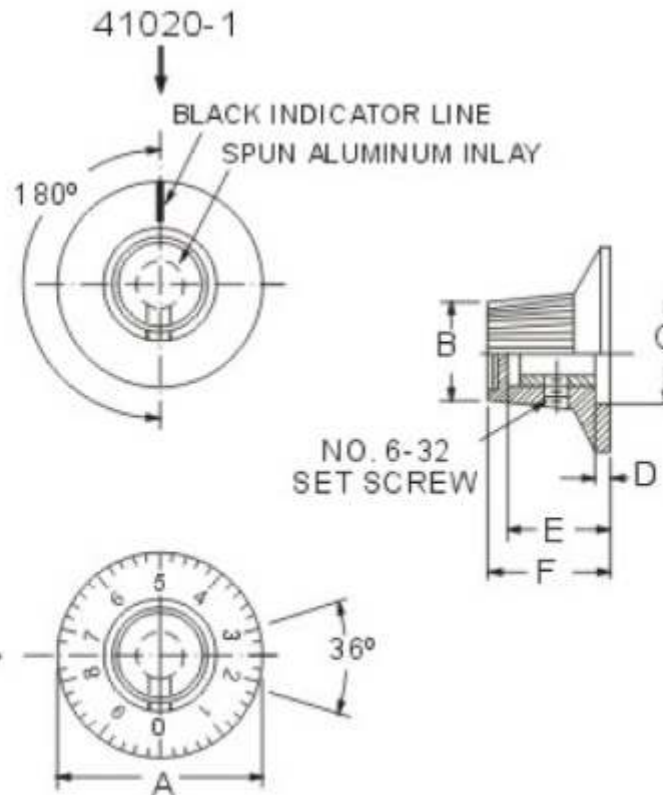


41020-3



41020-2



Description

- Material: Black phenolic
- Straight knurl with spun aluminum top inlay and skirt

PART NO.	A	B	C	D	E	F
41020-1	29.4	14.2	15.8	2.28	13.0	17.0
41020-2	29.4	14.2	15.8	2.28	13.0	17.0
41020-3	29.4	14.2	15.8	2.28	13.0	17.0

ISS	ECN	SIGN	DATE	ISS	ECN	SIGN	DATE

NOTICE
ALL RIGHTS RESERVED.
UNAUTHORISED USE,
DISCLOSURE OR
REPRODUCTION IN
WHOLE OR IN PART IS
STRICTLY PROHIBITED.

© 2006



Durban Road, Bognor Regis
West Sussex, UK, PO22 9QT
Tel: +44 (0) 1243 860626
Fax: +44 (0) 1243 866626
email: sales@westside-supplies.co.uk
Web: www.westside-supplies.co.uk

STANDARD TOLERANCES
NO PLACE DEC. ±0.5
1 PLACE DEC. ±0.2
2 PLACE DEC. ±0.1
ANGULAR ±0.5°
UNLESS STATED OTHERWISE
SCALE: NTS

MATERIAL

FINISH

DRAWN	DATE	SIGN	DATE
RM	11/12/06		

TITLE Tuning Knobs

DRAWING No
41020

A4