

DRAWING No
41010

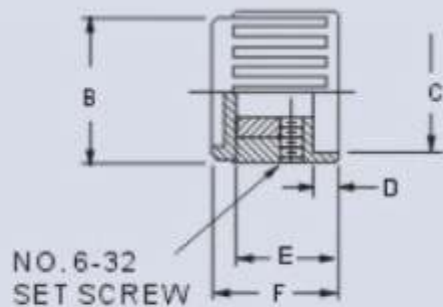
DO NOT SCALE



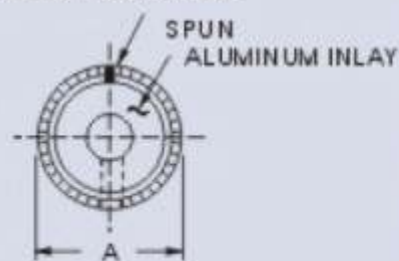
DIMENSIONS IN MILLIMETRES
FIRST ANGLE PROJECTION

CAD SYSTEM: AutoCAD 2005

CAD FILE NAME: //smbserver/drawings/41010



WHITE INDICATOR LINE



Description

- Material: Phenolic
- With No.6-32 set screw
- Ribbed with indicator line

PART NO.	A	B	C	D	E	F
41010-1	11.0	10.4	8.13	2.03	9.65	11.9
41010-2	14.0	12.7	11.10	1.42	10.03	13.2
41010-3	16.7	15.5	14.00	2.03	10.90	14.0
41010-4	18.8	17.8	15.00	2.03	11.40	14.0

ISS	ECN	SIGN	DATE	ISS	ECN	SIGN	DATE

NOTICE
ALL RIGHTS RESERVED.
UNAUTHORISED USE,
DISCLOSURE OR
REPRODUCTION IN
WHOLE OR IN PART IS
STRICTLY PROHIBITED.

© 2006



Durban Road, Bognor Regis
West Sussex, UK, PO22 9QT
Tel: +44 (0) 1243 860626
Fax: +44 (0) 1243 866626
email: sales@westside-supplies.co.uk
Web: www.westside-supplies.co.uk

STANDARD TOLERANCES
NO PLACE DEC. ±0.5
1 PLACE DEC. ±0.2
2 PLACE DEC. ±0.1
ANGULAR ±0.5°
UNLESS STATED OTHERWISE
SCALE: NTS

MATERIAL

FINISH

DRAWN	DATE	SIGN	DATE
RM	11/12/06		
TITLE Tuning Knobs			
DRAWING No 41010			A4