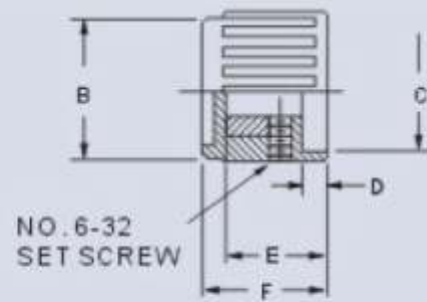
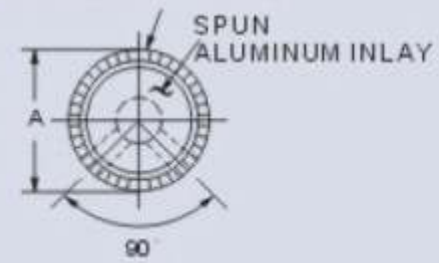


Description

- Material: Phenolic
- With brass insert
- With two No.6-32 set screw
- Ribbed with indicator line



WHITE INDICATOR LINE



PARTNO.	A	B	C	D	E	F
41008-1	21.8	20.6	18.3	2.03	10.4	14.0
41008-2	26.6	25.4	23.3	2.03	10.9	14.0
41008-3	31.8	30.4	17.5	2.03	10.9	14.7

ISS	ECN	SIGN	DATE	ISS	ECN	SIGN	DATE

NOTICE
ALL RIGHTS RESERVED.
UNAUTHORISED USE,
DISCLOSURE OR
REPRODUCTION IN
WHOLE OR IN PART IS
STRICTLY PROHIBITED.

© 2006

WESTSIDE SUPPLIES LIMITED

Durban Road, Bognor Regis
West Sussex, UK, PO22 9QT
Tel: +44 (0) 1243 860626
Fax: +44 (0) 1243 866626
email: sales@westside-supplies.co.uk
Web: www.westside-supplies.co.uk

STANDARD TOLERANCES
NO PLACE DEC. ±0.5
1 PLACE DEC. ±0.2
2 PLACE DEC. ±0.1
ANGULAR ±0.5°
UNLESS STATED OTHERWISE

SCALE: NTS

MATERIAL

FINISH

DRAWN	DATE	SIGN	DATE
RM	11/12/06		
TITLE Tuning Knobs			
DRAWING No 41008			A4