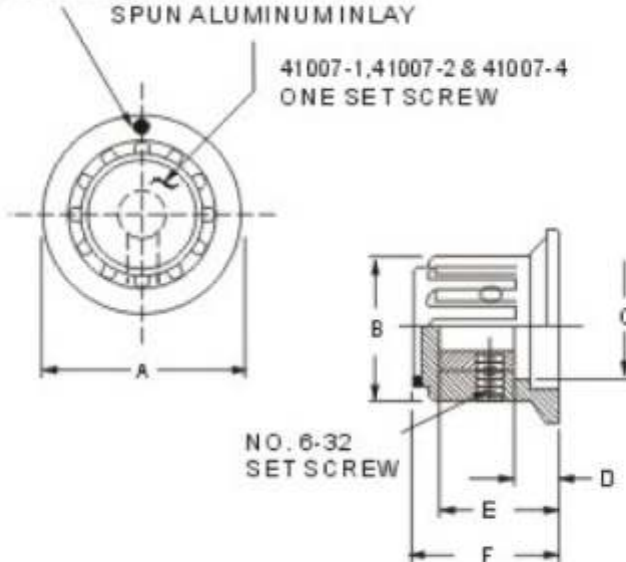


Description

- Material: Phenolic
- With two No.6-32 set screw
- Ribbed with line indicator on skirt

WHITE INDICATOR LINE
SPUN ALUMINUM INLAY
41007-1, 41007-2 & 41007-4
ONE SET SCREW



PART NO.	A	B	C	D	E	F
41007-1	20.0	14.7	13.2	2.03	11.4	15.0
41007-2	20.0	14.7	13.7	2.03	11.0	15.0
41007-3	24.9	14.7	12.0	4.06	14.7	17.2
41007-4	24.9	14.7	12.0	4.06	14.7	17.2
41007-5	34.5	24.3	17.2	5.08	18.8	21.5
41007-6	19.8	14.7	12.1	3.4	14.9	17.1



ISS	ECN	SIGN	DATE	ISS	ECN	SIGN	DATE

NOTICE
ALL RIGHTS RESERVED.
UNAUTHORISED USE,
DISCLOSURE OR
REPRODUCTION IN
WHOLE OR IN PART IS
STRICTLY PROHIBITED.
© 2006

Durban Road, Bognor Regis
West Sussex, UK, PO22 9QT
Tel: +44 (0) 1243 860626
Fax: +44 (0) 1243 866626
email: sales@westside-supplies.co.uk
Web: www.westside-supplies.co.uk

STANDARD TOLERANCES
NO PLACE DEC. ±0.5
1 PLACE DEC. ±0.2
2 PLACE DEC. ±0.1
ANGULAR ±0.5°
UNLESS STATED OTHERWISE
SCALE: NTS

MATERIAL

FINISH

DRAWN	DATE	SIGN	DATE
RM	11/12/06		
TITLE Tuning Knobs			
DRAWING No 41007			A4