

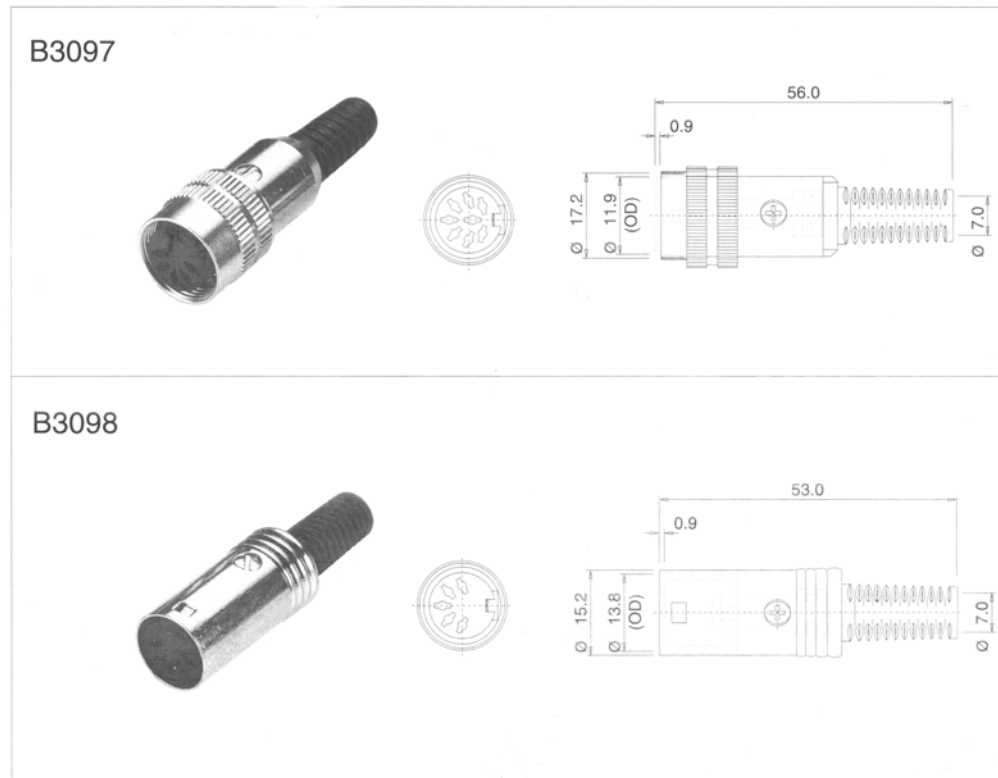
TECHNICAL DATA SHEET



**WESTSIDE
SUPPLIES**
L I M I T E D

DURBAN ROAD
BOGNOR REGIS
WEST SUSSEX
UNITED KINGDOM
PO22 9QT
TEL: +44 (0) 1243 860626
FAX: +44 (0) 1243 866626
email: sales@westside-supplies.co.uk
Web: www.westside-supplies.co.uk

Applicable Part Number(s):	B3097 B3098
Category:	DIN
Document Name:	TDSDIN015



** Combinations with plugs **

Can be combined with the B2006,B2008,B8001,B9004, B8002,B8004,...ex

Please refer to page

ARRANGEMENT OF CONTACTS

PARTS	3P	4P	5P	6P	7P	8P			
ANGLE	180fl	216fl	180fl	240fl	360fl	240fl	270fl	270fl	262fl
POSITION OF VIEWS									
B3097	B3097-3P	B3097-4P	B3097-5P	B3097-5A	B3097-5B	B3097-6P	B3097-7P	B3097-8P	B3097-8A
B3098	B3098-3P	B3098-4P	B3098-5P	B3098-5A	B3098-5B	B3098-6P	B3098-7P	B3098-8P	B3098-8A

For Westside Supplies Limited