

# TECHNICAL DATA SHEET

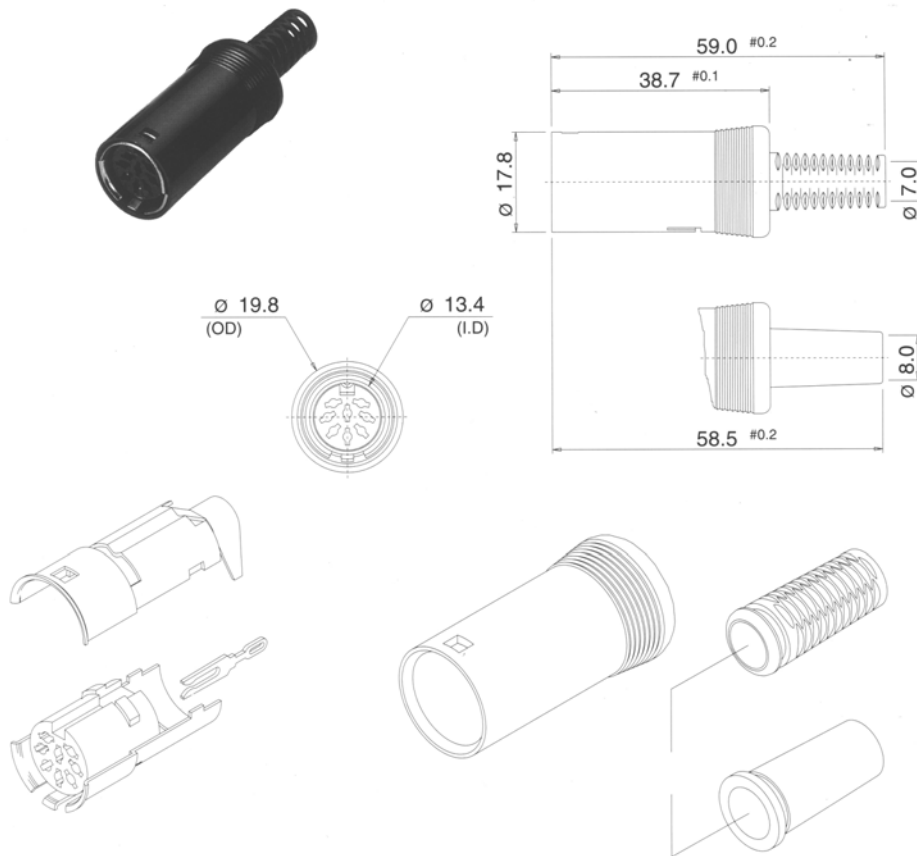


**WESTSIDE  
SUPPLIES  
LIMITED**

DURBAN ROAD  
BOGNOR REGIS  
WEST SUSSEX  
UNITED KINGDOM  
PO22 9QT  
TEL: +44 (0) 1243 860626  
FAX: +44 (0) 1243 866626  
email: [sales@westside-supplies.co.uk](mailto:sales@westside-supplies.co.uk)  
Web: [www.westside-supplies.co.uk](http://www.westside-supplies.co.uk)

<b>Applicable Part Number(s):</b>	B3003
<b>Category:</b>	DIN
<b>Document Name:</b>	TDSDIN014

B3003



\*\* Combinations with plugs \*\*

Can be combined with the B8001, B9004, ...ex Please refer to page

## ARRANGEMENT OF CONTACTS

PARTS	3P	4P	5P			6P	7P	8P	
ANGLE	180fl	216fl	180fl	240fl	360fl	240fl	270fl	270fl	262fl
POSITION OF VIEWS									
	B3003-3P	B3003-4P	B3003-5P	B3003-5A	B3003-5B	B3003-6P	B3003-7P	B3003-8P	B3003-8A

For Westside Supplies Limited