

TECHNICAL DATA SHEET



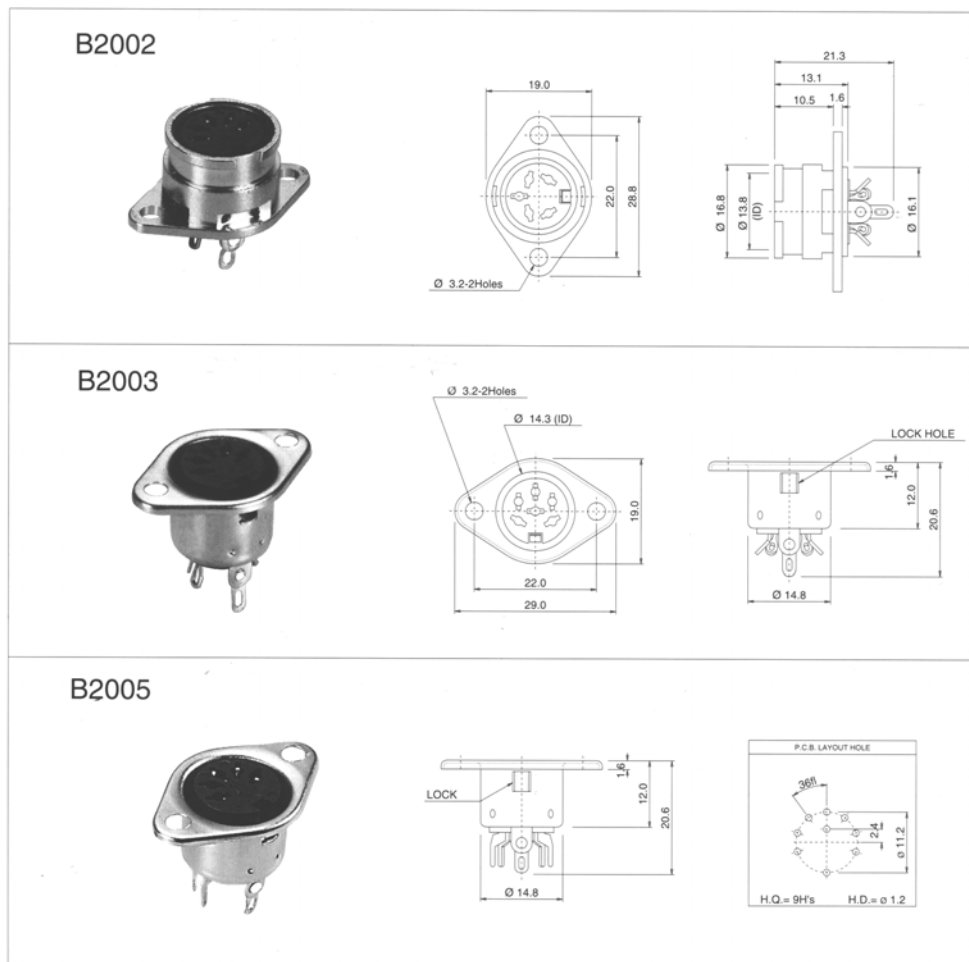
**WESTSIDE
SUPPLIES
LIMITED**

DURBAN ROAD
BOGNOR REGIS
WEST SUSSEX
UNITED KINGDOM
PO22 9QT

TEL: +44 (0) 1243 860626
FAX: +44 (0) 1243 866626

email: sales@westside-supplies.co.uk
Web: www.westside-supplies.co.uk

Applicable Part Number(s):	B2002 B2003 B2005
Category:	DIN
Document Name:	TDSDIN004



SPECIFICATIONS

Contact resistance : 20MΩ Max.
Dielectric strength : 1,000V AC/1 Minute
Insulation resistance : 100MΩ Min. at 500V DC
Rating : 100V AC 2A

**** Combinations with plugs ****
Can be combined with the
B8002, B8003, B9004, ...ex
Please refer to page 00-00

ARRANGEMENT OF CONTACTS

PARTS	3P	4P	5P	6P	7P	8P			
ANGLE	180fl	216fl	180fl	240fl	360fl	240fl	270fl	270fl	262fl
POSITION OF VIEWS									
B8002	B8002-3P	B8002-4P	B8002-5P	B8002-5A	B8002-5B	B8002-6P	B8002-7P	B8002-8P	B8002-8A
B8004	B8004-3P	B8004-4P	B8004-5P	B8004-5A	B8004-5B	B8004-6P	B8004-7P	B8004-8P	B8004-8A

For Westside Supplies Limited