

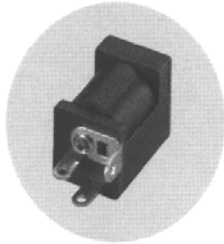
TECHNICAL DATA SHEET



**WESTSIDE
SUPPLIES
LIMITED**

DURBAN ROAD
BOGNOR REGIS
WEST SUSSEX
UNITED KINGDOM
PO22 9QT
TEL: +44 (0) 1243 860626
FAX: +44 (0) 1243 866626
email: sales@westside-supplies.co.uk
Web: www.westside-supplies.co.uk

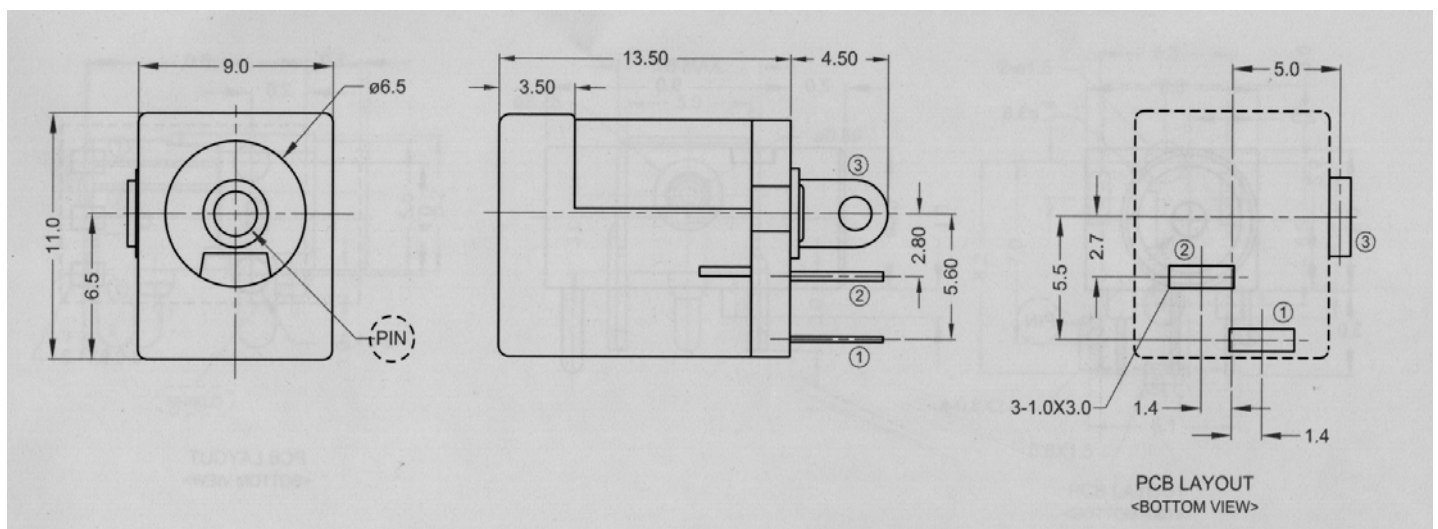
Applicable Part Number(s):	AJ222A-A AJ222A-B
Category:	DC
Document Name:	TSDSC001



SCHEMATIC		PIN#	PART NO.
		2.0mm	AJ222A-A
		2.5mm	AJ222A-B

AJ222A-X

TYPICAL : 12V@0.5A



For Westside Supplies Limited