

# WESTSIDE SUPPLIES



COST EFFECTIVE CONNECTORS

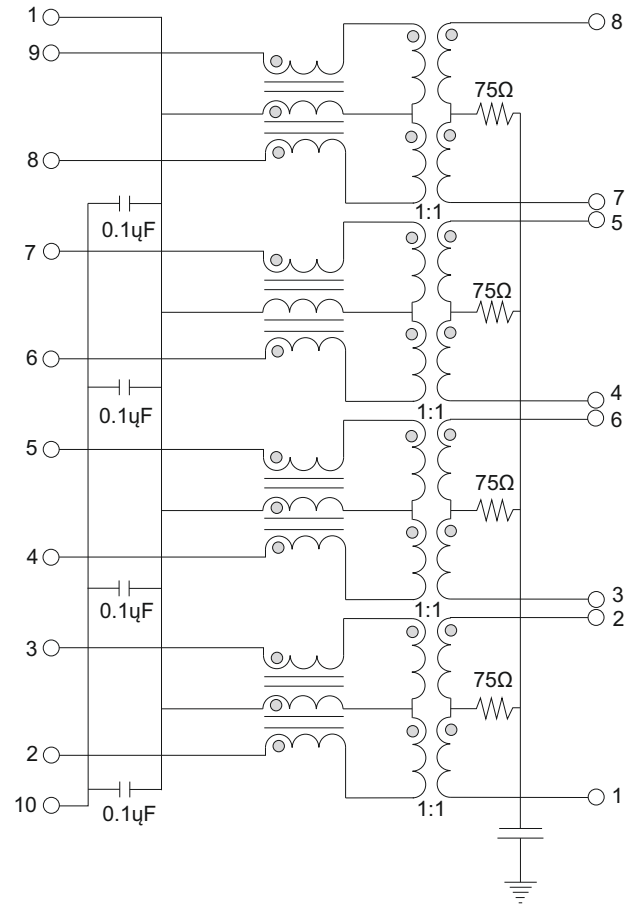
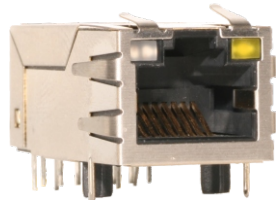
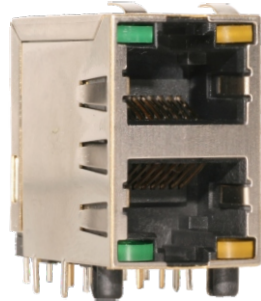
**New Products - November 2010**



# RJ45 CONNECTORS

WESTSIDE SUPPLIES LIMITED +44(0)1243-860626

RJ 45 CONNECTORS WITH INTEGRATED MAGNETICS



Range of Rj45 Connectors, with Integrated Magnetics.

Designed to support applications such as SOHO (ADSL Modem) LAN-onMotherboard (LOM), Hub And Switches.

Available with or without LEDs

Meets or exceeds IEEE 802.3 standard 100Base-T

350μH minimum OCL with 8mA bias current

Range includes Tab-up, Tab-down, Right Angled through hole Vertical through hole and Surface Mount.









# RJ45 CONNECTORS

WESTSIDE SUPPLIES LIMITED +44(0)1243-860626

6 WAY DUAL HEIGHT  
BLOCK BNC WITHOUT  
SHIELD PLATE

**WP-6000**

Technical drawing details for WP-6000:  
 Side view dimensions: 12.8, 17.1, 8.6, 1.8, 12.8, 9.3, 2.0, 4.7, 12.6, 16.7.  
 Top view dimensions: 3.0, 11.1, 32.0, 16.0, 8.0, 3.9, 6.8, 6.8, 6.7, 18.0, 18.0, 4.7, 12.6, 16.7.

8 WAY DUAL HEIGHT  
BNC BLOCK WITHOUT  
SHIELD PLATE

**WP-8000**

Technical drawing details for WP-8000:  
 Side view dimensions: 12.8, 17.1, 8.6, 1.8, 12.9, 9.6, 2.0, 4.7, 12.6, 16.7.  
 Top view dimensions: 3.0, 32.0, 16.0, 8.0, 3.9, 6.8, 18.0, 6.8, 36.0, 6.8, 18.0, 18.0, 18.0, 6.8, 4.7, 12.6, 16.7.

2 WAY DUAL HEIGHT  
BNC BLOCK WITH  
SHIELD PLATE

**WP-2010**

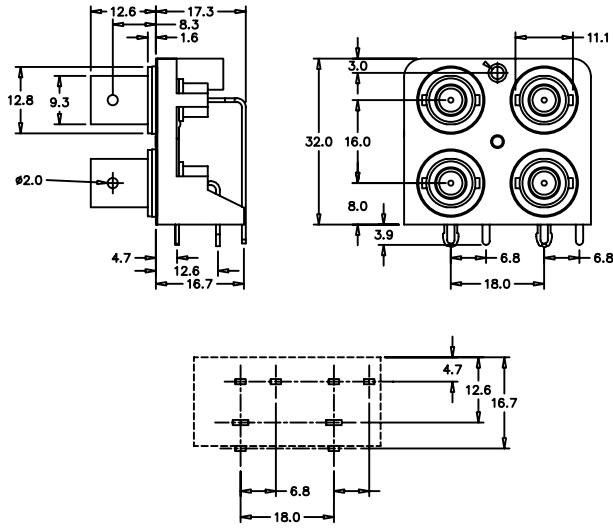
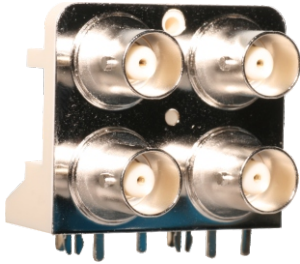
Technical drawing details for WP-2010:  
 Side view dimensions: 12.6, 17.3, 8.3, 1.6, 0.25, 12.80, 9.3, 2.0, 4.7, 12.6, 16.7.  
 Top view dimensions: 11.10, 32.00, 16.00, 8.00, 3.90, 6.80, 18.0, 9.0, 4.7, 12.6, 16.70, 17.00, 6.80.



# BNC CONNECTORS

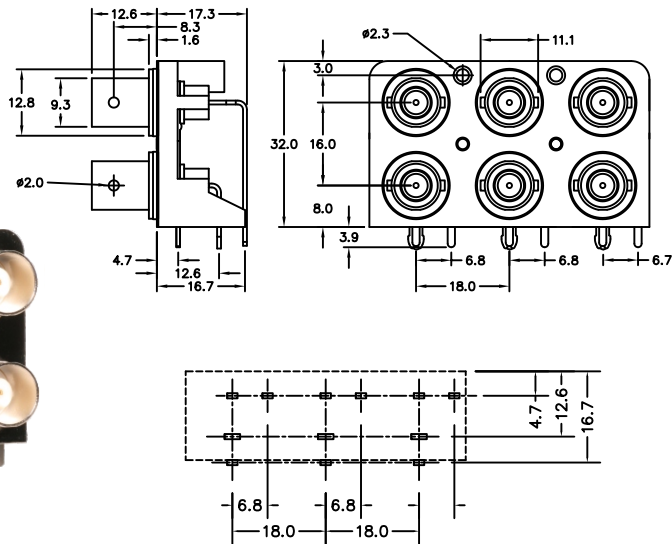
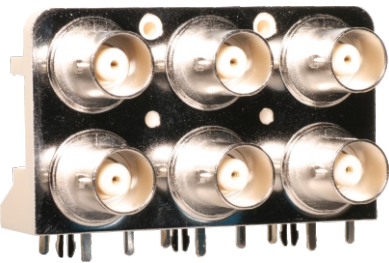
WESTSIDE SUPPLIES LIMITED +44(0)1243-860626

**WP-4010**



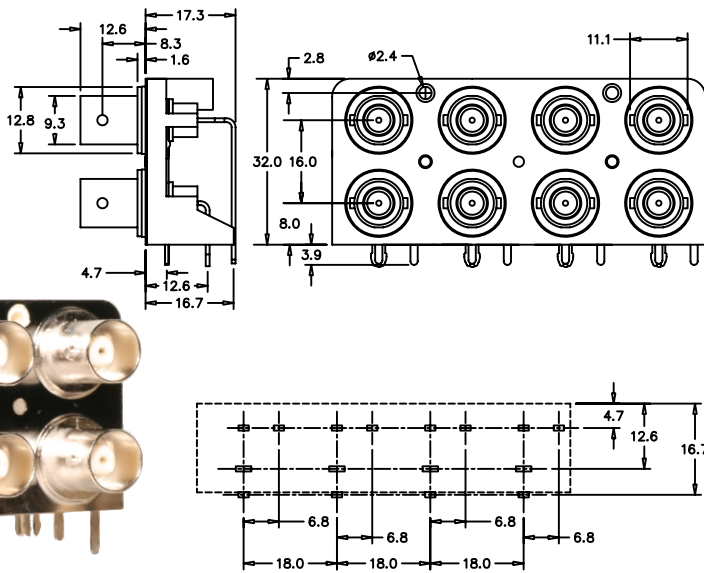
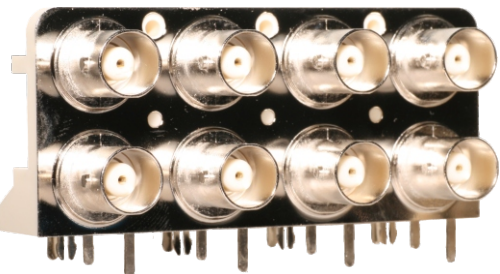
6 WAY DUAL HEIGHT  
BNC BLOCK WITHOUT  
SHIELD PLATE

**WP-6010**



6 WAY DUAL HEIGHT  
BNC BLOCK WITHOUT  
SHIELD PLATE

**WP-8010**



8 WAY DUAL HEIGHT  
BNC BLOCK WITHOUT  
SHIELD PLATE



# CUSTOM MADE CABLES

WESTSIDE SUPPLIES LIMITED +44(0)1243-860626

CUSTOM MADE MOULDED  
CABLES AND MOULDINGS



**WESTSIDE SUPPLIES LIMITED**

'WESTSIDE'  
SHRIPNEY ROAD  
BOGNOR REGIS  
WEST SUSSEX  
PO22 9NX  
UNITED KINGDOM

TEL: +44(0)1243-860626  
FAX: +44(0)1243-866626

EMAIL: [sales@westside-supplies.co.uk](mailto:sales@westside-supplies.co.uk)

website: [www.westside-supplies.co.uk](http://www.westside-supplies.co.uk)

For further information or full catalogues of all our product ranges, contact us today or visit our website.