

WESTSIDE SUPPLIES



Miniature Circular Connectors



INTRODUCTION

WESTSIDE SUPPLIES (01243) 860626

This catalogue, one of a number of product specific catalogues, contains details of our comprehensive range of miniature circular connectors.

Miniature circular connectors are a popular range of connectors with a wide variety of uses within professional and domestic electronic equipment.

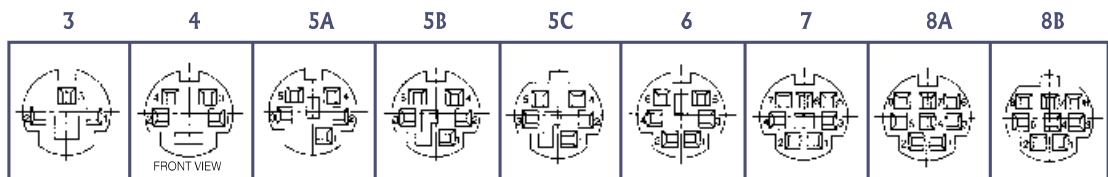
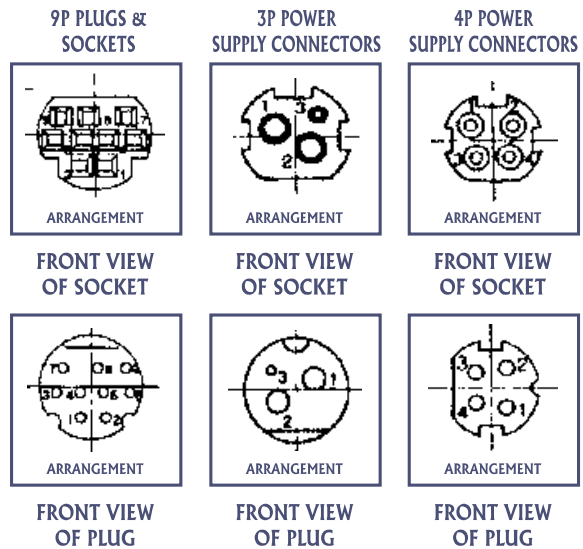
This catalogue contains a comprehensive selection of parts including vertical and straight PCB mounted, chassis mounted, screened, non screened and surface mounted sockets. The plug range has rewirable and moulded variations.

The 4P type is extensively used as a connector for high quality SVHS video. Others are used in a vast number of applications including computer, office automation, video, audio and medical equipment. In addition there is a range of 3P & 4P power supply connectors for DC applications.

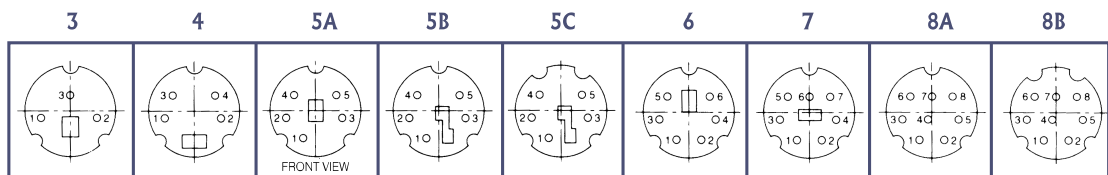
WSL are also able to source fully moulded mini din leads to customers' specifications. Although this will be subject to minimum order quantities, there is often some flexibility. Please contact the sales office for advice.

SPECIFICATIONS

Rating	100 V AC 1 A Max. or 12 V DC 2 A Max.
Insulation Resistance	50 MΩ Min. at 250 V DC
Dielectric Strength	250 V AC/1 Minute
Contact Resistance	30mΩ Max.
Engaging Force	45N (4.5kg) Max.
Separating Force	9N-30N (0.9kgf-3kgf)



CONFIGURATION OF SOCKETS - FRONT VIEW



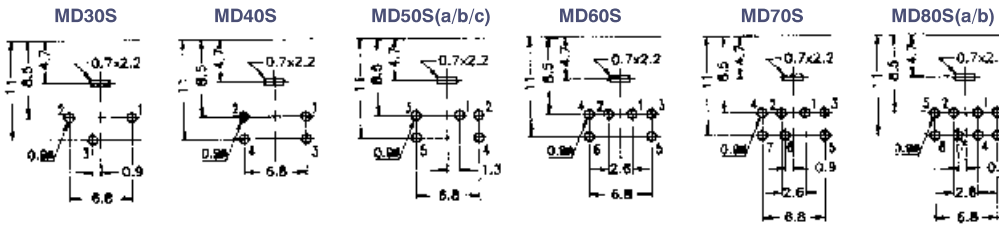
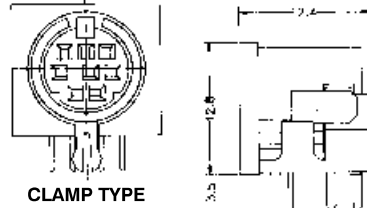
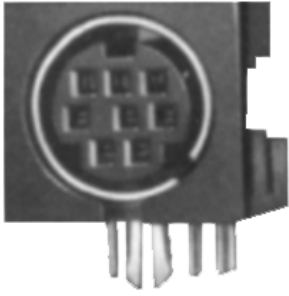
CONFIGURATION OF PLUGS - FRONT VIEW

MINIATURE CIRCULAR CONNECTORS

WESTSIDE SUPPLIES (01243) 860626

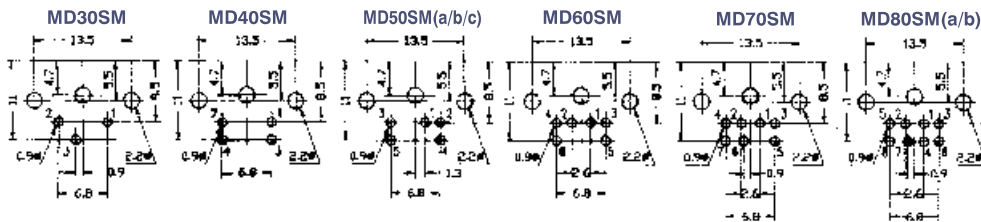
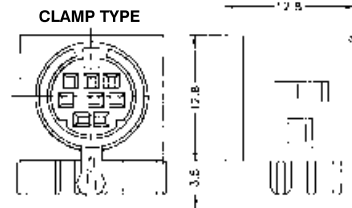
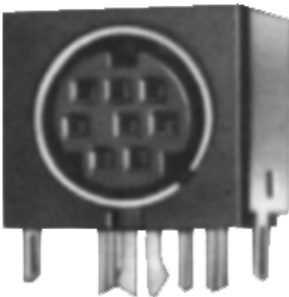


MD_OS SERIES UNSHIELDED QUICK LOCK COMPATIBLE



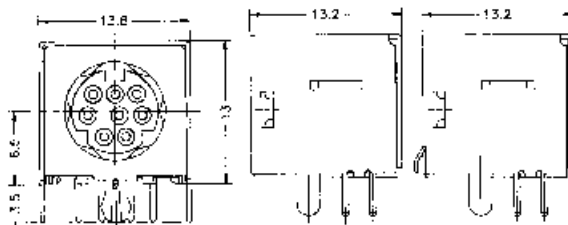
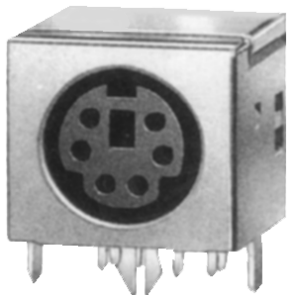
RIGHT ANGLED
PCB MOUNT

MD_OSM SERIES SHIELDED QUICK LOCK COMPATIBLE

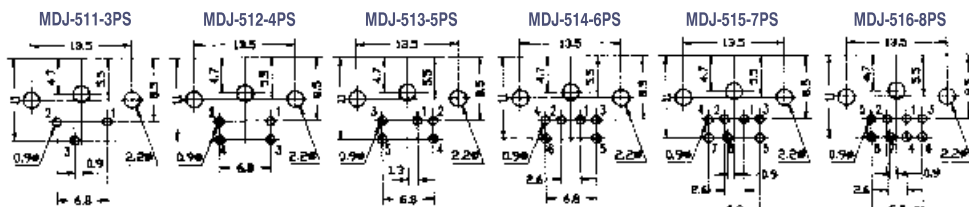


RIGHT ANGLED
PCB MOUNT

MDJ-51--_PS SERIES FULLY SCREENED



THIS SERIES AVAILABLE WITH
GROUNDING SPRING, ADD SUFFIX GS
AFTER PART NUMBER.



FOR 5P B & C TYPES & 8P B TYPES - CONTACT THE SALES OFFICE

RIGHT ANGLED
PCB MOUNT


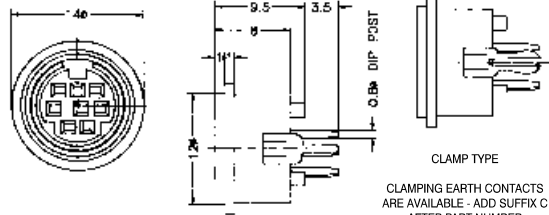


MINIATURE CIRCULAR CONNECTORS

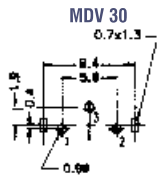
WESTSIDE SUPPLIES (01243) 860626

LONG STRAIGHT
PCB MOUNT

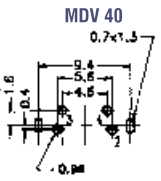
MDV_0 SERIES QUICK LOCK COMPATIBLE

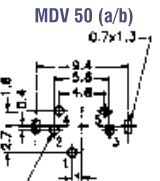
CLAMP TYPE
CLAMPING EARTH CONTACTS ARE AVAILABLE - ADD SUFFIX C AFTER PART NUMBER



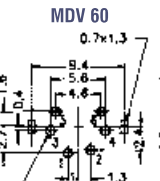
MDV 30
0.7x1.3



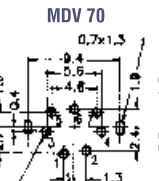
MDV 40
0.7x1.3



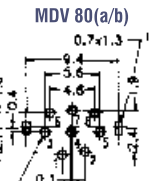
MDV 50 (a/b)
0.7x1.3



MDV 60
0.7x1.3



MDV 70
0.7x1.3


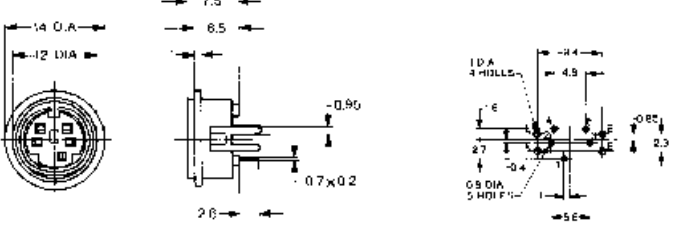


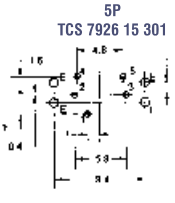
MDV 80(a/b)
0.7x1.3

5P C TYPE NOT AVAILABLE

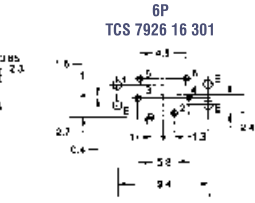
SHORT STRAIGHT
PCB MOUNT

TCS 7926-1_-301 SERIES

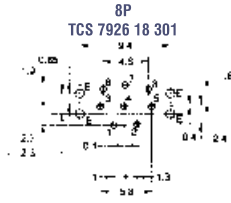





5P
TCS 7926 15 301



6P
TCS 7926 16 301


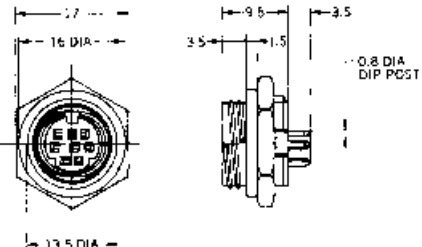


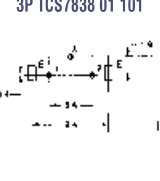
8P
TCS 7926 18 301

4P VERSION ALSO AVAILABLE
SUBJECT TO MOQ.
PLEASE ASK SALES OFFICE FOR DETAILS.

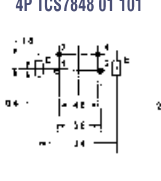
CHASSIS/STRAIGHT
PCB MOUNT

TCS 78_8-01-101 SERIES SCREW LOCK

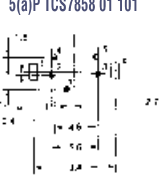





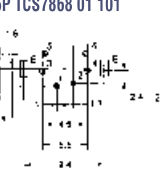
3P TCS7838 01 101




4P TCS7848 01 101



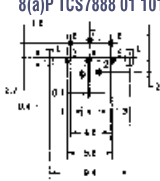
5(a)P TCS7858 01 101



6P TCS7868 01 101



7P TCS7878 01 101



8(a)P TCS7888 01 101

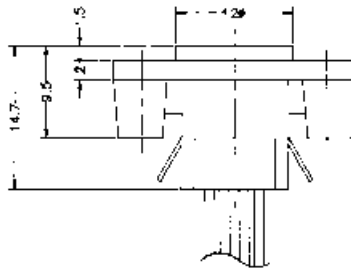
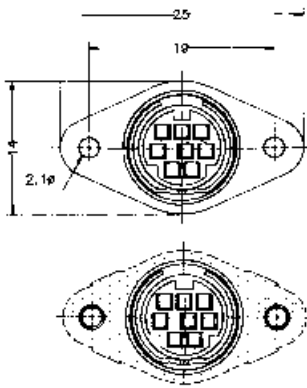
MINIATURE CIRCULAR CONNECTORS

WESTSIDE SUPPLIES (01243) 860626

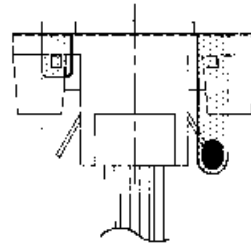


MDC-__OC-___SERIES

MDC series are only available with wires fitted.
Length, colour code and end terminals of wires are to customer request.
Wire size 26-30 AWG.



WITHOUT SHIELD



WITH SHIELD

ADD SUFFIX S
TO PART NUMBER
FOR SHIELDED SOCKETS

PART NUMBERS:
MDC-80C-300

Length of wires in mm
Number of contacts

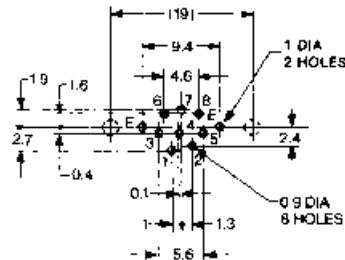
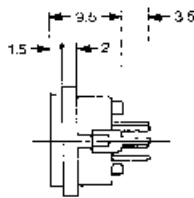
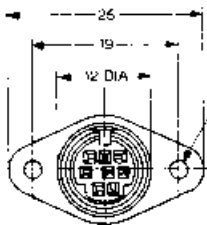
5B & 5C TYPES NOT AVAILABLE

CHASSIS MOUNTED
WITH CRIMPED WIRES

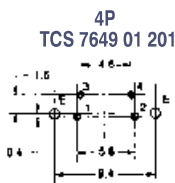


TCS 7649-01-201 4 PIN

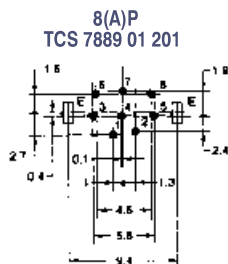
TCS 7889-01-201 8 PIN



HOLE LAYOUT
(BOTTOM VIEW)



4P
TCS 7649 01 201



8(A)P
TCS 7889 01 201

VERTICAL SOCKET
PCB OR CHASSIS MOUNT



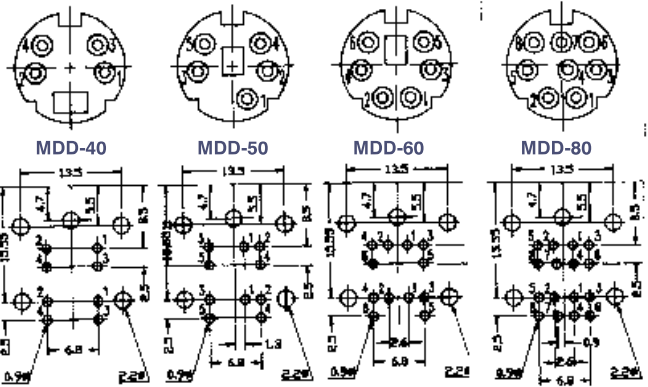
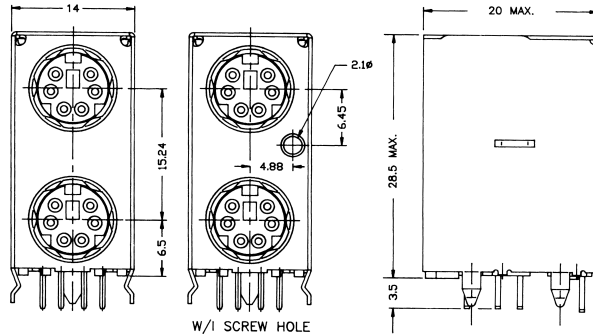
MINIATURE CIRCULAR CONNECTORS

WESTSIDE SUPPLIES (01243) 860626

DUAL HEIGHT
FULLY SHIELDED



MDD_0_SERIES

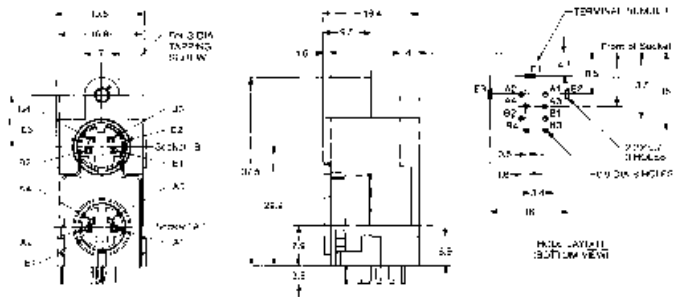


PART NUMBERS:
MDD-80H
└─ Suffix indicates screw hole
└─ Number of Pins

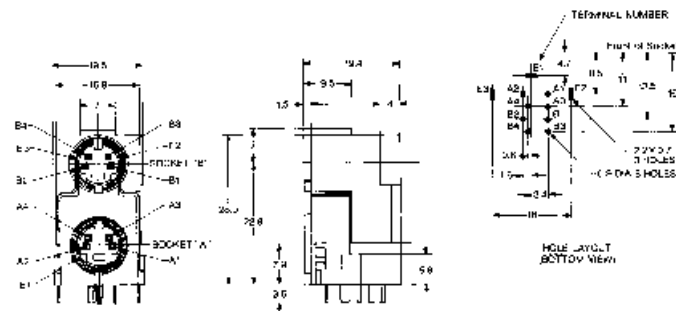
DUAL HEIGHT 4 PIN
NON SHIELDED



TCX0310-01-0101 WITH CHASSIS FIXING



TCX0310-1101 WITHOUT FIXING

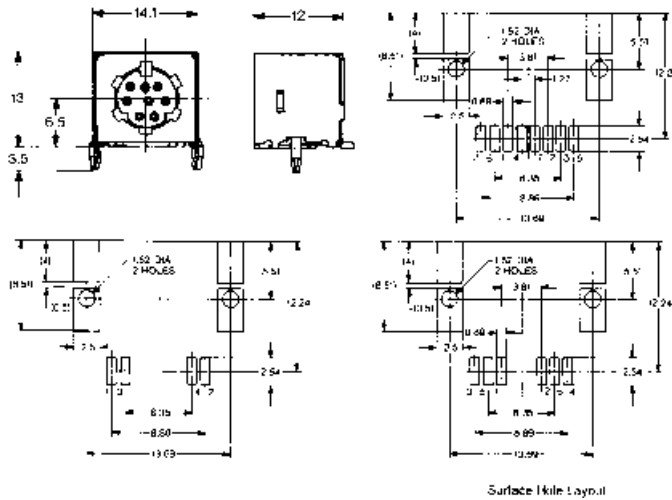
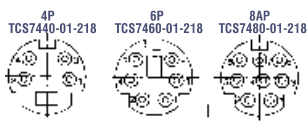


MINIATURE CIRCULAR CONNECTORS

WESTSIDE SUPPLIES (01243) 860626



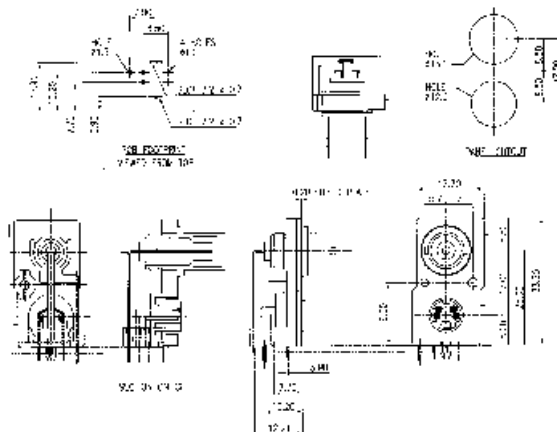
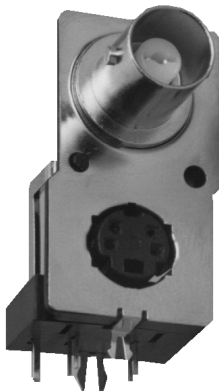
TCS74_0-01-218 SERIES



SURFACE MOUNTED
FULLY SHIELDED

WB141 SHIELDED

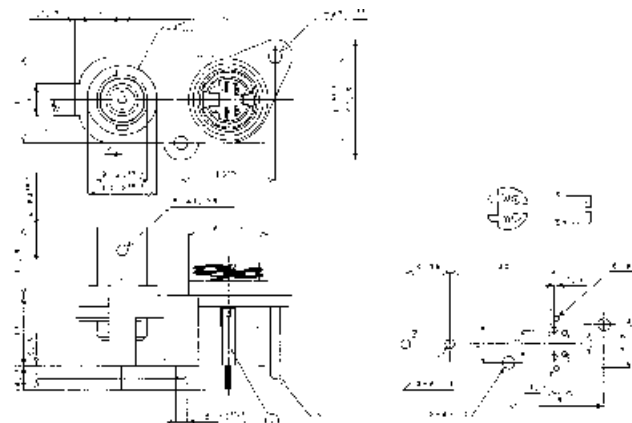
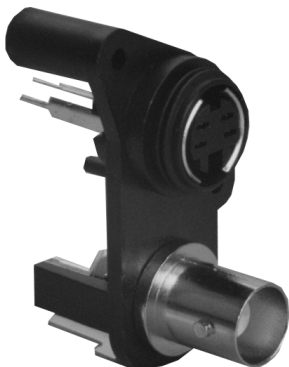
SVHS/4P MINI DIN COMBINATION



DUAL HEIGHT BNC/
SVHS COMBINATION

B0096

SVHS/4P MINI DIN COMBINATION



STRAIGHT BNC/SVHS
COMBINATION



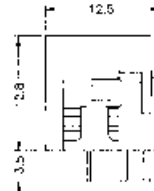
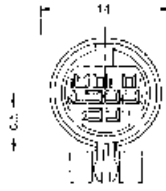
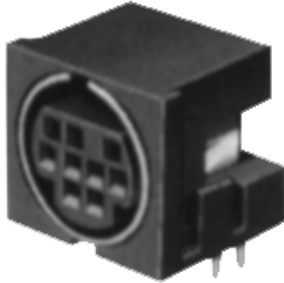
9 PIN MINIATURE CIRCULAR CONNECTORS

WESTSIDE SUPPLIES (01243) 860626

RIGHT ANGLED
PCB MOUNT

MD90S

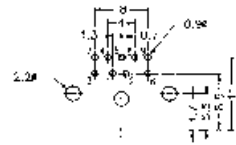
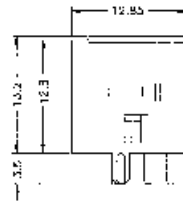
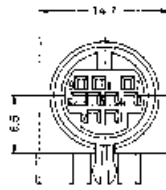
UNSHIELDED



RIGHT ANGLED
PCB MOUNT

MD90SM

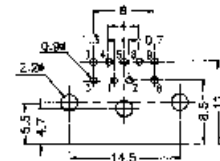
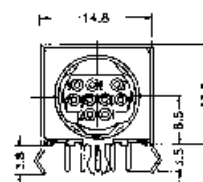
SHIELDED



RIGHT ANGLED
PCB MOUNT

MDJ507-9PS

FULLY SHIELDED

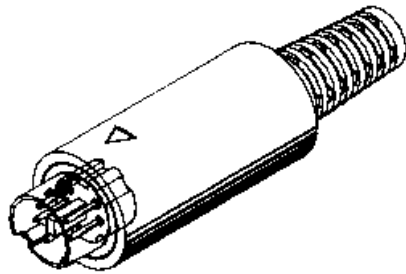




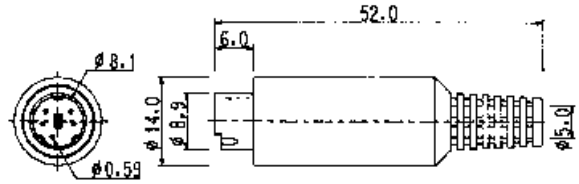
MINI CIRCULAR PLUGS & IN LINE SOCKETS

WESTSIDE SUPPLIES (01243) 860626

REWIREABLE
PLUG

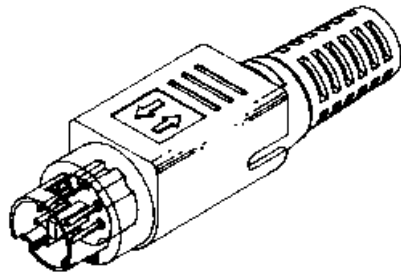


MD_0 SERIES

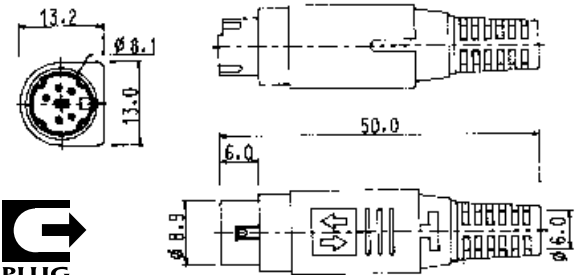


AVAILABLE IN 3-8 PIN TYPES

REWIREABLE
PLUG

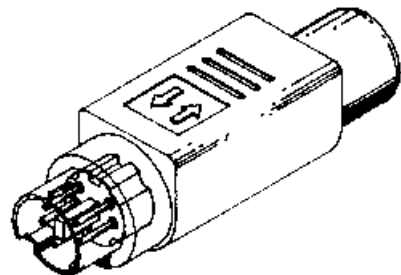


A9008-P MINI & QUICK LOCK

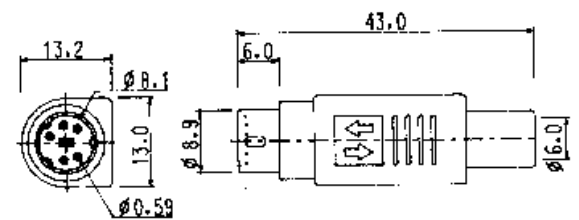


AVAILABLE IN 3-8 PIN TYPES

REWIREABLE
PLUG

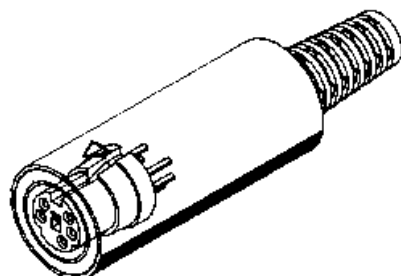


MD_0AP

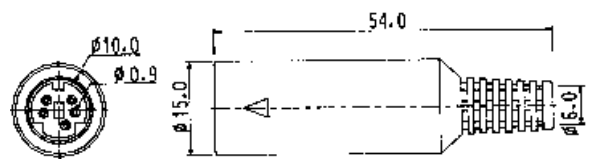


AVAILABLE IN 3-8 PIN TYPES

REWIREABLE
IN LINE SOCKET



MD_0J SERIES IN LINE SOCKET

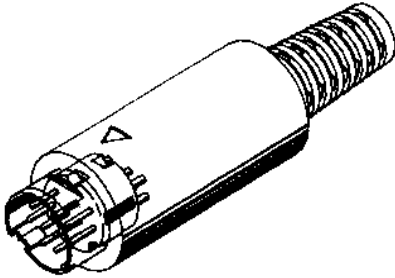


AVAILABLE IN 3-8 PIN TYPES

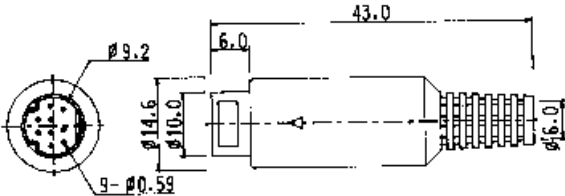
9 PIN PLUGS & IN LINE SOCKETS


WESTSIDE SUPPLIES (01243) 860626



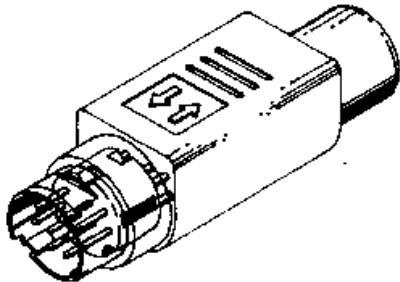


MD9

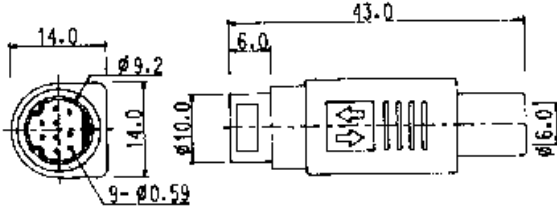




PLUG

**REWIREABLE
PLUG**

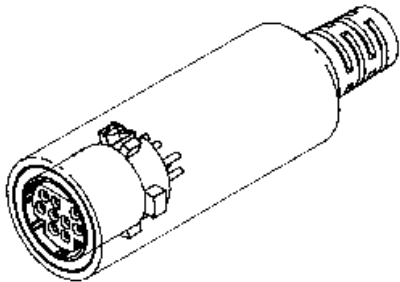


MD90AP

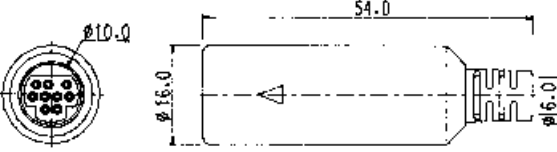




PLUG

**REWIREABLE
PLUG**



MD90J

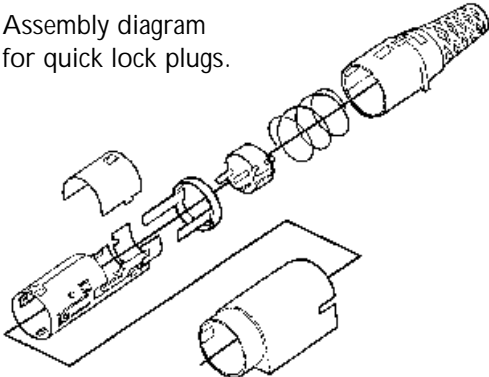



JACK

**REWIREABLE
IN LINE SOCKET**

For 3,4,5,6,7 & 8
PIN TYPES
Insert pin number in
blank spaces:
eg: MD_0 becomes MD50
for 5 pin type.
eg: MD40AP, A9008-4P

Assembly diagram
for quick lock plugs.



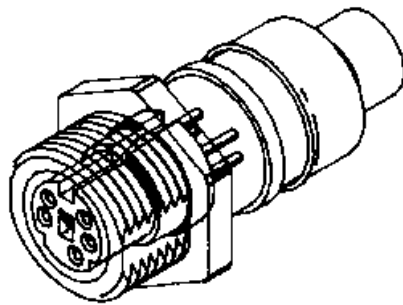
**ORDERING
DETAILS**



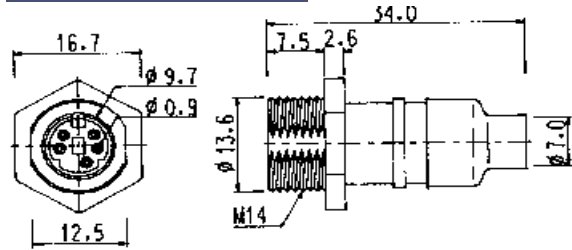
OTHER MINIATURE CIRCULAR CONNECTORS

WESTSIDE SUPPLIES (01243) 860626

REWIREABLE
IN LINE SOCKET



A2004-_P SERIES



AVAILABLE IN 3-8 PIN TYPES

10 PIN PLUGS
& SOCKETS



TCP8945(10P)
QUICK LOCK TYPE



TCS7721(10P)
SHIELDED QUICK
LOCK TYPE
REVERSE KEY
GROOVE TYPE



TCS7715(10P)
IN LINE SOCKET
QUICK LOCK TYPE



TCS7705(10P)
SHIELDED QUICK
LOCK TYPE

MISCELLANEOUS



TCS7726
SHIELDED LOW
PROFILE TYPE



TCS75_9
SWITCHED (1P-1T)



TCS7931
SWITCHED (1P-1T)



TCS75_8-43
SHIELDED ADDED
PCB FIXING



TCS7927-1_
WITH SCREW
FIXING



TCS7927-2_
SHIELDED WITH
SCREW FIXING



TCS7927-6
SHIELDED WITH
SCREW FIXING



TCS7959
WITH SWITCH (2P-2T)



TCS7943
CHASSIS
MOUNT
TYPE



TCS71_6
QUICK
LOCK
TYPE



TCS72_6
SHIELDED
QUICK LOCK
TYPE



TCP7939
SHIELDED
SCREW LOCK

MINIATURE CIRCULAR CONNECTOR LEADS

WESTSIDE SUPPLIES (01243) 860626



Below is a representation of the plugs and sockets available in moulded or pre-fitted form.



STRAIGHT PLUG



STRAIGHT PLUG (A TYPE)



RIGHT ANGLED PLUG



STRAIGHT PLUG WITH SCREW LOCK



RIGHT ANGLED PLUG WITH LATCHING



IN LINE FEMALE JACK



SLIM RIGHT ANGLED PLUG

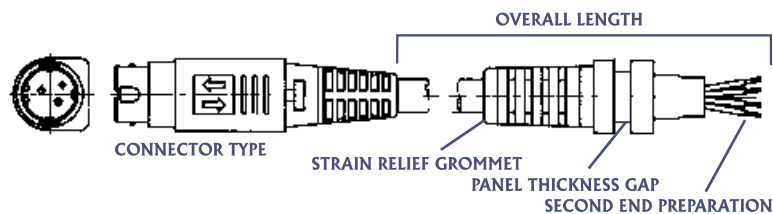


STRAIGHT PLUG WITH LATCHING

Leads are custom made.

To enable us to quote, we need to know the following:

1. Connector type.
2. Cable type: diameter, cross sectional area, AWG, number of cores, core colours.
3. Screening: non screened, braid, foil, drain wire.
4. Strain relief grommet: panel size, thickness.
5. Second end preparation: stripped/bared, tinned, crimp terminals, connector type.
6. Colour.



MOULDED AND FITTED

Custom mouldings: we can offer custom made and customised plugs / sockets / grommets and other mouldings. Contact the sales office for more information.

POWER SUPPLY UNIT PLUGS

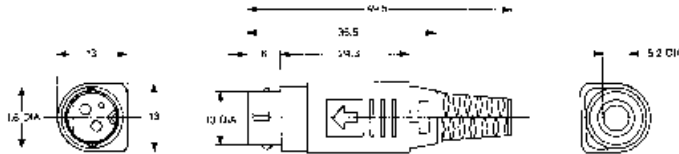
WESTSIDE SUPPLIES (01243) 860626



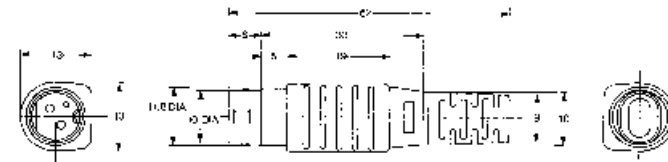
TCP8927-53-1100 4mm CABLE QUICK LOCK



TCP8927-63-1110 5.2mm CABLE QUICK LOCK



TCP8935-53-1100 5.2mm CABLE HALF LOCK



SPECIFICATIONS

Rating:

Pin Nos 1 & 2: 20VDC 7.5 A Max.

Pin No 3: 20V DC 1 A Max.

Insulation Resistance:

50 MΩ Min at 250V DC.

Dielectric Strength:

250V AC/1 minute.

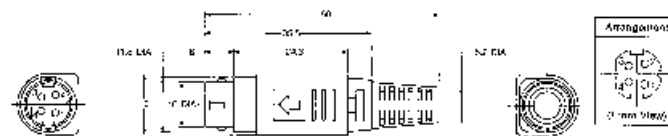
NOTES

1. Applicable wire size. Pin nos 1&2: AWG*18 max.
Pin no 3: AWG *24 max.
2. Wire connection with pins: Soldering method.
3. UL approved material (94 V-0) is used for the insulation material.

3 PIN POWER
SUPPLY PLUGS



TCP8941-341100 QUICK LOCK TYPE



SPECIFICATIONS

Rating:

20VDC 7.5 A Max.

Insulation Resistance:

50 MΩ Min at 250V DC.

Dielectric Strength:

250V AC/1 minute.

NOTES

1. Applicable wire size. AWG*18 max.
2. Wire connection with pins: Soldering method.
3. UL approved material (94 V-0) is used for the insulation material.

4 PIN POWER
SUPPLY PLUGS

The WSL extensive product range includes:

- Audio Connectors & Terminations
- Battery Connectors & Holders
- BNC Connectors
- DC Power Jacks
- DIN Connectors
- Equipment Feet
- Mains Cables & Connectors
- RF Connectors
- Screw Terminals
- Switches & Potentiometers
- Telephone & Communication Jacks
- Terminal Blocks
- Transistor Holders & Bushings
- Custom moulded leads & rewireable plugs/sockets (including BNC, D, DC & audio jacks, din, mini-din & phono types)

We are also able to offer a custom design & specific sourcing service for all your connector requirements.



**WESTSIDE
SUPPLIES
LIMITED**

**'WESTSIDE'
SHRIPNEY ROAD
BOGNOR REGIS
WEST SUSSEX
UNITED KINGDOM
PO22 9NX**

TEL: +44 (0) 1243 860626

FAX: +44 (0) 1243 866626

EMAIL: sales@westside-supplies.co.uk

WEB: www.westside-supplies.co.uk